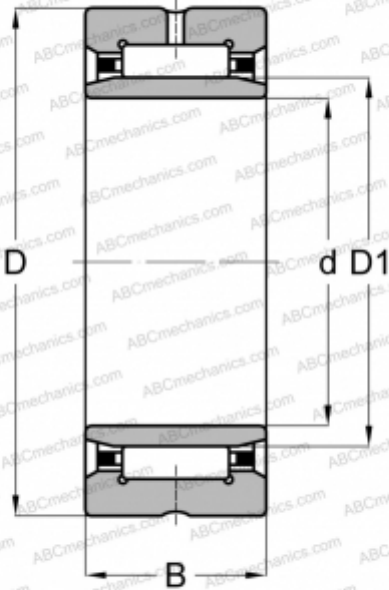


## NA 4924 SKF

Needle roller bearings

TYPE: Roller bearings, Needle, Single row, With machined rings with flanges, with an inner ring, Metric



### Technical specification

#### DIMENSIONS, MM

d	120,000
D	165,000
D1	135,000
B	45,000

#### WEIGHT, KG

2,850

#### MANUFACTURER

[SKF](#)

#### INTERCHANGE

ABC	<a href="#">NA 4924</a>
IKO	<a href="#">NA 4924</a>
FAG	<a href="#">NA 4924</a>
INA	<a href="#">NA 4924</a>
TORRINGTON	<a href="#">NA 4924</a>
ABC	<a href="#">NA 4824</a>
FAG	<a href="#">NA 4824</a>
INA	<a href="#">NA 4824</a>
SKF	<a href="#">NA 4824</a>
TORRINGTON	<a href="#">NA 4824</a>

#### CALCULATION DATA

Basic dynamic load rating, C	176,000 kN
Basic static load rating, Co	405,000 kN
Fatigue load limit, Pu	46,500 kN
Reference speed	3000 r/min
Limiting speed	3400 r/min