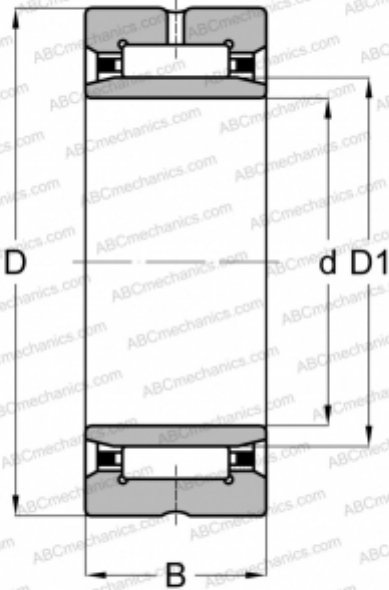


## NA 4928 SKF

Needle roller bearings

TYPE: Roller bearings, Needle, Single row, With machined rings with flanges, with an inner ring, Metric



### Technical specification

#### DIMENSIONS, MM

d	140,000
D	190,000
D1	160,000
B	50,000

#### WEIGHT, KG

4,150

#### MANUFACTURER

[SKF](#)

#### INTERCHANGE

ABC	<a href="#">NA 4928</a>
FAG	<a href="#">NA 4928</a>
INA	<a href="#">NA 4928</a>
IKO	<a href="#">NA 4928</a>
TORRINGTON	<a href="#">NA 4928</a>

#### CALCULATION DATA

Basic dynamic load rating, C	205,000 kN
Basic static load rating, Co	510,000 kN
Fatigue load limit, Pu	57,000 kN
Reference speed	2400 r/min
Limiting speed	2800 r/min