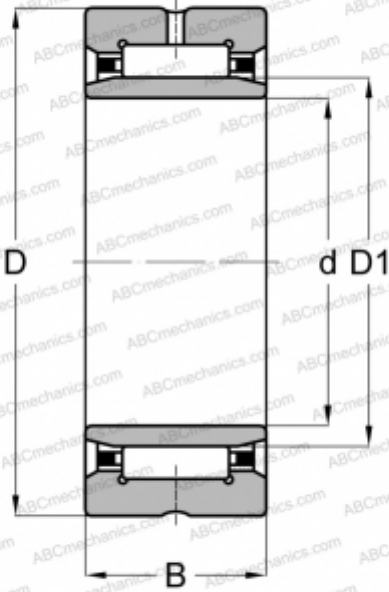


NA 4876 SKF

Needle roller bearings

TYPE: Roller bearings, Needle, Single row, With machined rings with flanges, with an inner ring, Metric



Technical specification

DIMENSIONS, MM

d	380,000
D	480,000
D1	415,000
B	100,000

WEIGHT, KG

42,500

MANUFACTURER

[SKF](#)

INTERCHANGE

ABC	NA 4876
FAG	NA 4876
INA	NA 4876
IKO	NA 4876

CALCULATION DATA

Basic dynamic load rating, C	968,000 kN
Basic static load rating, Co	3000,000 kN
Fatigue load limit, Pu	260,000 kN
Reference speed	900 r/min
Limiting speed	1000 r/min