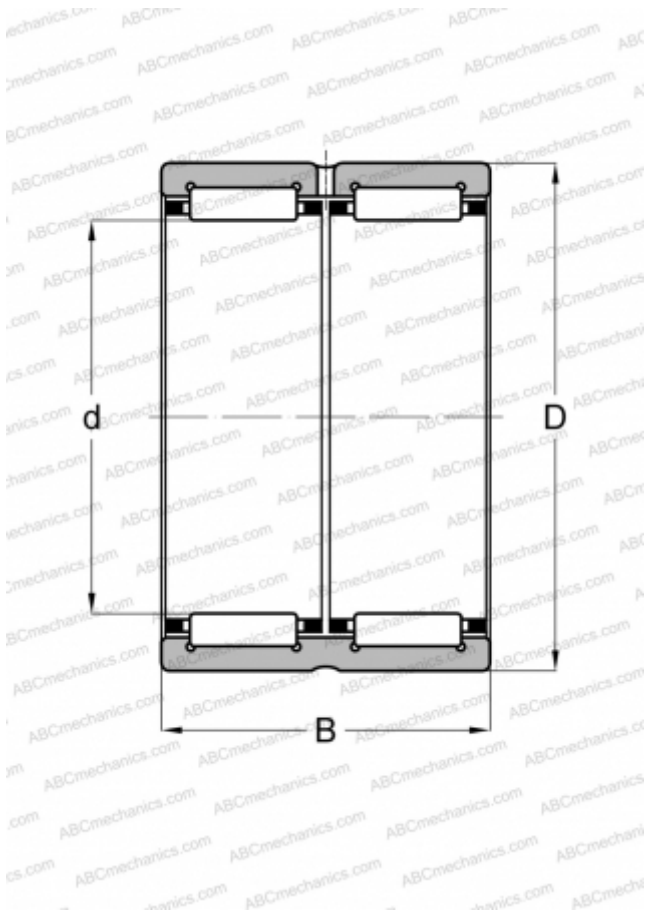


RNA 6901 IKO

Needle roller bearings

TYPE: Roller bearings, Needle, Double row, With machined rings with flanges, without an inner ring, Metric



Technical specification

DIMENSIONS, MM

d	16,000
D	24,000
B	22,000

WEIGHT, KG

0,030

MANUFACTURER

[IKO](#)

INTERCHANGE

ABC	RNA 6901
-----	--------------------------

CALCULATION DATA

Basic dynamic load rating, C	17,100 kN
Basic static load rating, Co	23,000 kN