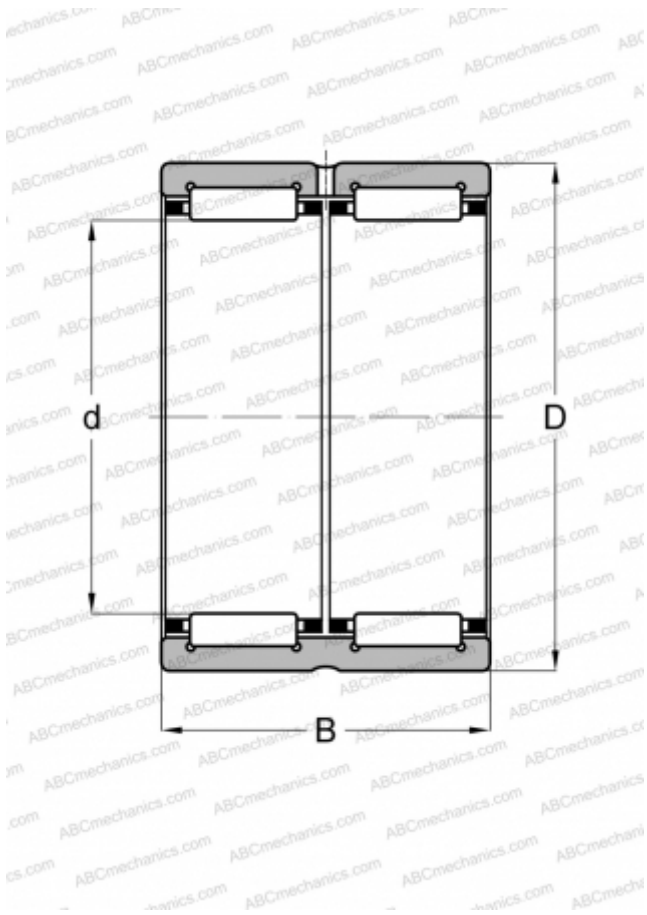


## RNA 6908 IKO

Needle roller bearings

TYPE: Roller bearings, Needle, Double row, With machined rings with flanges, without an inner ring, Metric



### Technical specification

#### DIMENSIONS, MM

d	48,000
D	62,000
B	40,000

#### WEIGHT, KG

0,275

#### MANUFACTURER

[IKO](#)

#### INTERCHANGE

ABC	<a href="#">RNA 6908</a>
FAG	<a href="#">RNA 6908</a>
INA	<a href="#">RNA 6908-ZW</a>
SKF	<a href="#">RNA 6908</a>
TORRINGTON	<a href="#">RNA 6908</a>

#### CALCULATION DATA

Basic dynamic load rating, C	71,300 kN
Basic static load rating, Co	135,000 kN