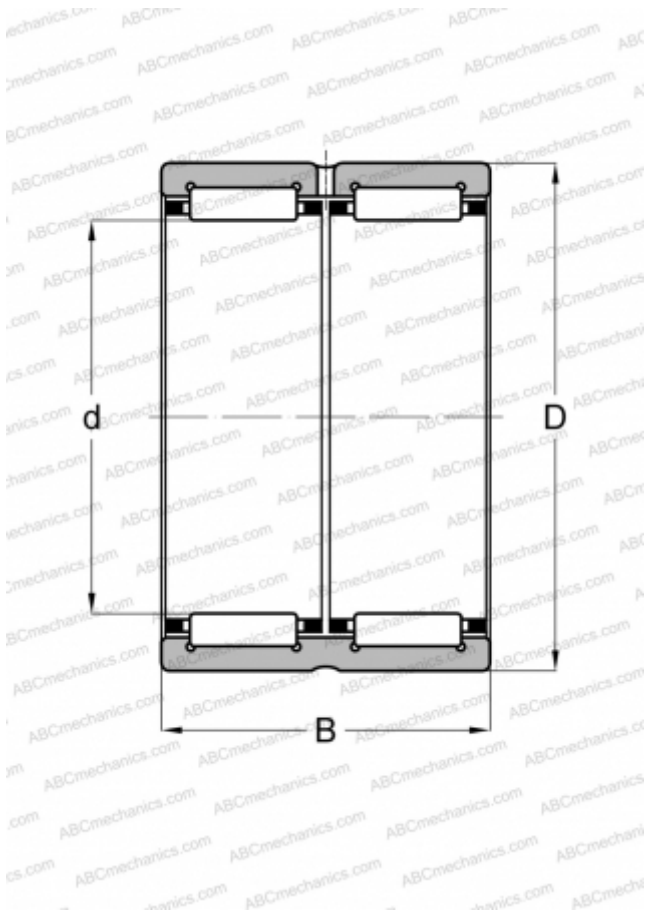


## RNA 6909 SKF

Needle roller bearings

TYPE: Roller bearings, Needle, Double row, With machined rings with flanges, without an inner ring, Metric



### Technical specification

#### DIMENSIONS, MM

d	52,000
D	68,000
B	40,000

#### WEIGHT, KG

0,340

#### MANUFACTURER

[SKF](#)

#### INTERCHANGE

ABC	<a href="#">RNA 6909</a>
IKO	<a href="#">RNA 6909</a>
FAG	<a href="#">RNA 6909</a>
INA	<a href="#">RNA 6909-ZW</a>
TORRINGTON	<a href="#">RNA 6909</a>

#### CALCULATION DATA

Basic dynamic load rating, C	70,400 kN
Basic static load rating, Co	137,000 kN
Fatigue load limit, Pu	17,000 kN
Reference speed	7500 r/min
Limiting speed	8500 r/min

#### REPLACES

RNNA 6909

#### ASSOCIATED PRODUCTS

CR 52x68x8 HMS5 RG