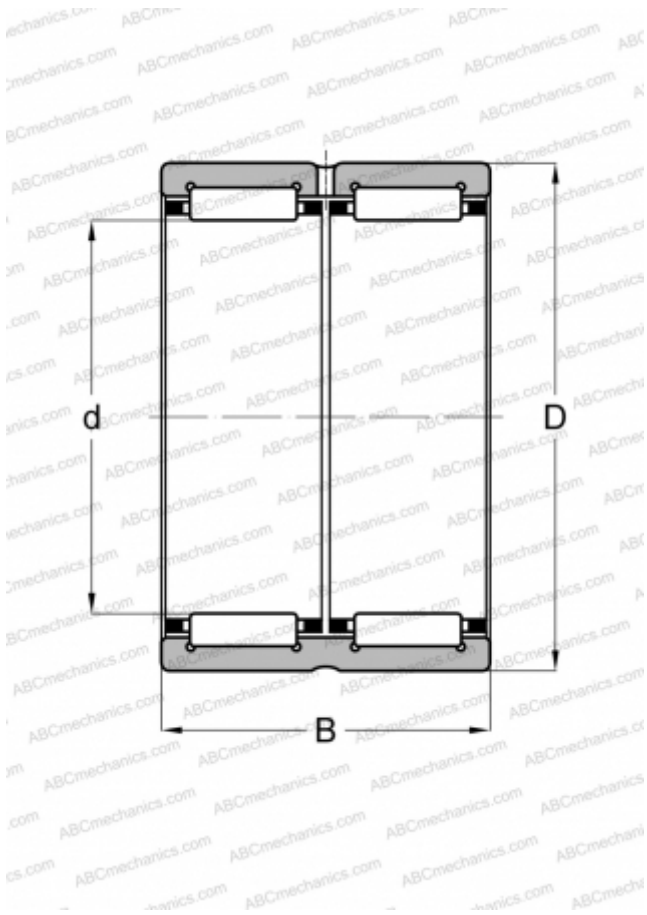


RNA 6912 IKO

Needle roller bearings

TYPE: Roller bearings, Needle, Double row, With machined rings with flanges, without an inner ring, Metric



Technical specification

DIMENSIONS, MM

d	68,000
D	85,000
B	45,000

WEIGHT, KG

0,510

MANUFACTURER

[IKO](#)

INTERCHANGE

ABC	RNA 6912
FAG	RNA 6912
INA	RNA 6912-ZW
SKF	RNA 6912
TORRINGTON	RNA 6912

CALCULATION DATA

Basic dynamic load rating, C	103,000 kN
Basic static load rating, Co	211,000 kN