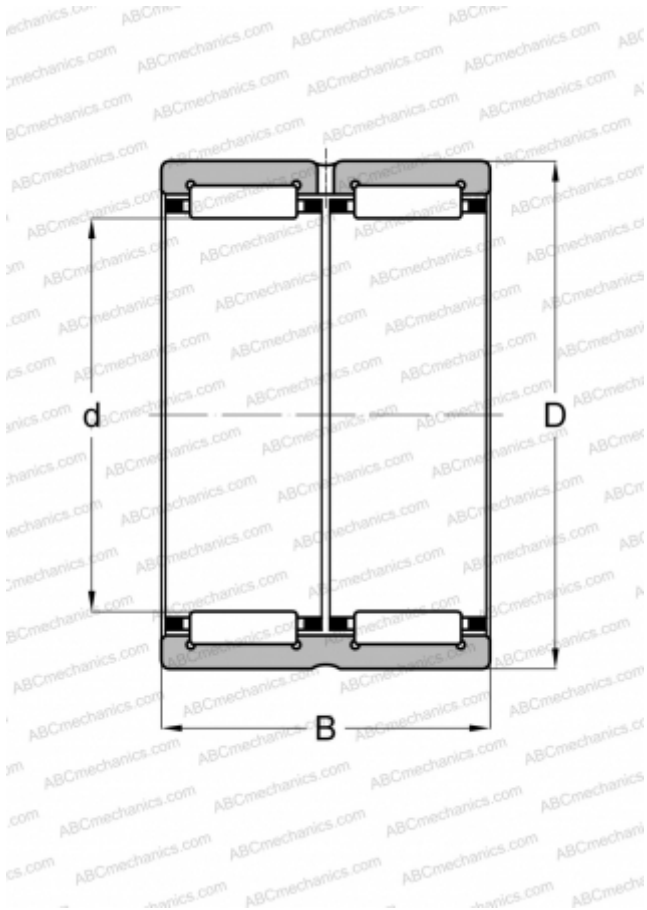


RNA 6912 SKF

Needle roller bearings

TYPE: Roller bearings, Needle, Double row, With machined rings with flanges, without an inner ring, Metric



Technical specification

DIMENSIONS, MM

d	68,000
D	85,000
B	45,000

WEIGHT, KG

0,490

MANUFACTURER

[SKF](#)

INTERCHANGE

ABC	RNA 6912
IKO	RNA 6912
FAG	RNA 6912
INA	RNA 6912-ZW
TORRINGTON	RNA 6912

CALCULATION DATA

Basic dynamic load rating, C	93,500 kN
Basic static load rating, Co	204,000 kN
Fatigue load limit, Pu	25,000 kN
Reference speed	6000 r/min
Limiting speed	6700 r/min

REPLACES

RNNA 6912

ASSOCIATED PRODUCTS

CR 68x85x8 CRW1 R