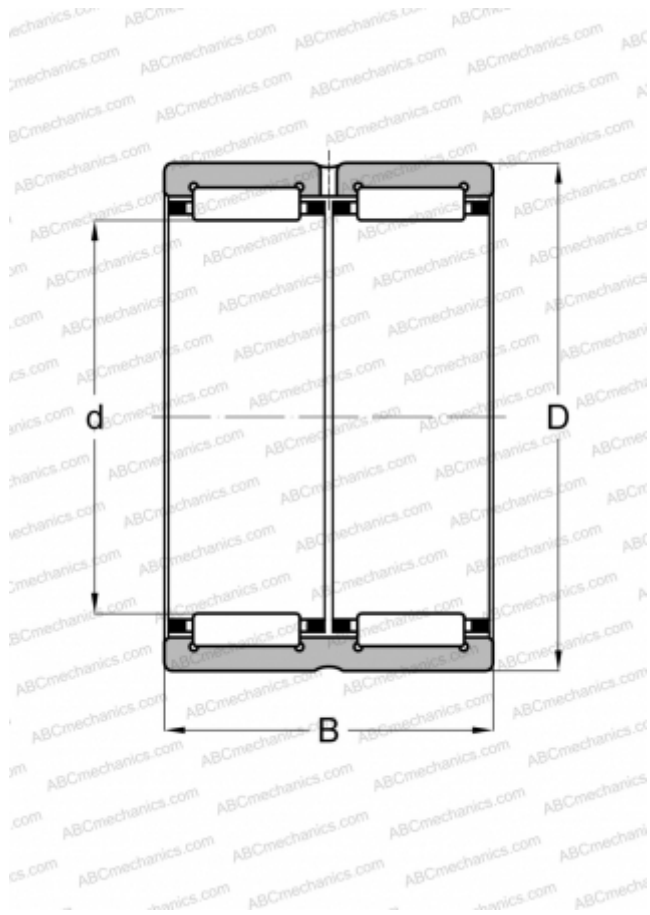


RNA 6917 ABC

Needle roller bearings

TYPE: Roller bearings, Needle, Double row, With machined rings with flanges, without an inner ring, Metric



Technical specification

DIMENSIONS, MM

d	100,000
D	120,000
B	63,000

WEIGHT, KG

1,347

MANUFACTURER

[ABC](#)

INTERCHANGE

IKO	RNA 6917
FAG	RNA 6917
INA	RNA 6917-ZW
SKF	RNA 6917
TORRINGTON	RNA 6917