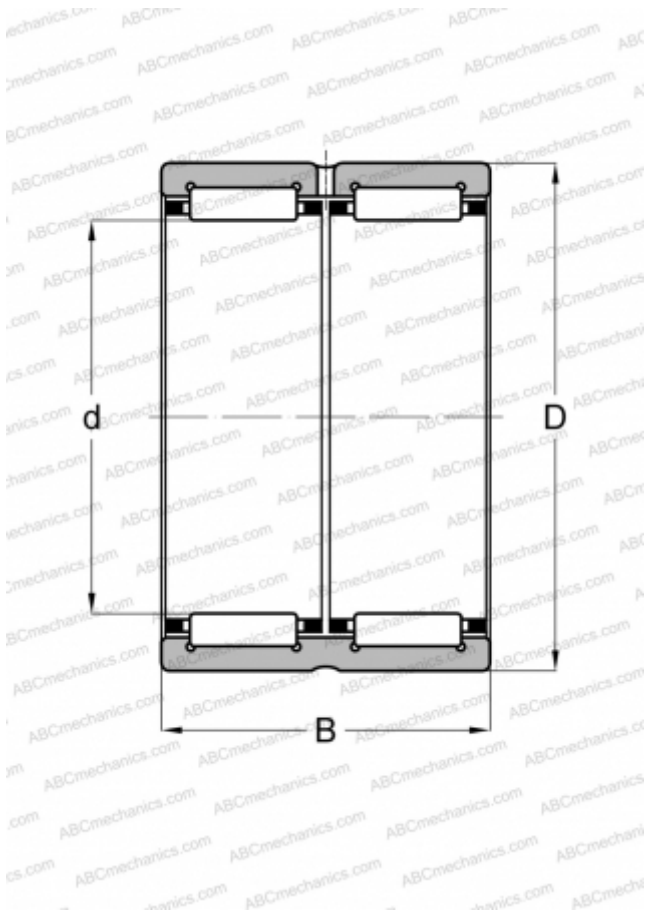


RNA 6917 SKF

Needle roller bearings

TYPE: Roller bearings, Needle, Double row, With machined rings with flanges, without an inner ring, Metric



Technical specification

DIMENSIONS, MM

d	100,000
D	120,000
B	63,000

WEIGHT, KG

1,200

MANUFACTURER

[SKF](#)

INTERCHANGE

ABC	RNA 6917
IKO	RNA 6917
FAG	RNA 6917
INA	RNA 6917-ZW
TORRINGTON	RNA 6917

CALCULATION DATA

Basic dynamic load rating, C	165,000 kN
Basic static load rating, Co	425,000 kN
Fatigue load limit, Pu	53,000 kN
Reference speed	4000 r/min
Limiting speed	4500 r/min

REPLACES

RNNA 6917

ASSOCIATED PRODUCTS

CR 100x120x10 HMS5 RG