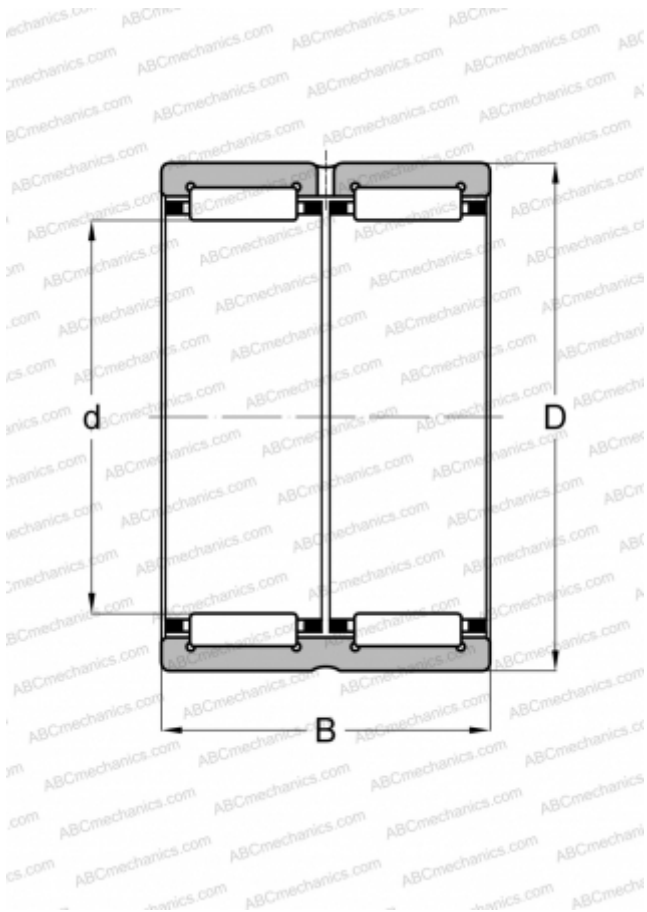


RNA 6918 SKF

Needle roller bearings

TYPE: Roller bearings, Needle, Double row, With machined rings with flanges, without an inner ring, Metric



Technical specification

DIMENSIONS, MM

d	105,000
D	125,000
B	63,000

WEIGHT, KG

1,350

MANUFACTURER

[SKF](#)

INTERCHANGE

ABC	RNA 6918
IKO	RNA 6918
FAG	RNA 6918
INA	RNA 6918-ZW
TORRINGTON	RNA 6918

CALCULATION DATA

Basic dynamic load rating, C	172,000 kN
Basic static load rating, Co	450,000 kN
Fatigue load limit, Pu	55,000 kN
Reference speed	3800 r/min
Limiting speed	4300 r/min

REPLACES

RNNA 6918

ASSOCIATED PRODUCTS

CR 105x125x13 HMS4 R