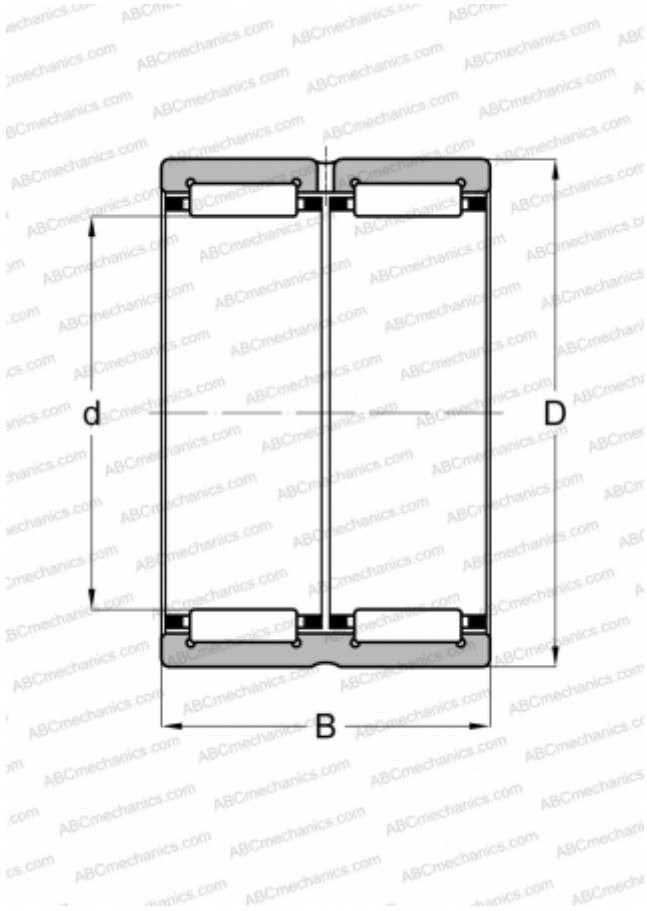


RNA 6901 UU IKO

Needle roller bearings

TYPE: Roller bearings, Needle, Double row, Lip seals on both side, metric, With machined rings with flanges, without an inner ring



Technical specification

DIMENSIONS, MM

d	16,000
D	24,000
B	22,000

MANUFACTURER

[IKO](#)

INTERCHANGE

ABC

[RNA 6901 2RS](#)

CALCULATION DATA

Basic dynamic load rating, C	15,500 kN
Basic static load rating, Co	20,400 kN