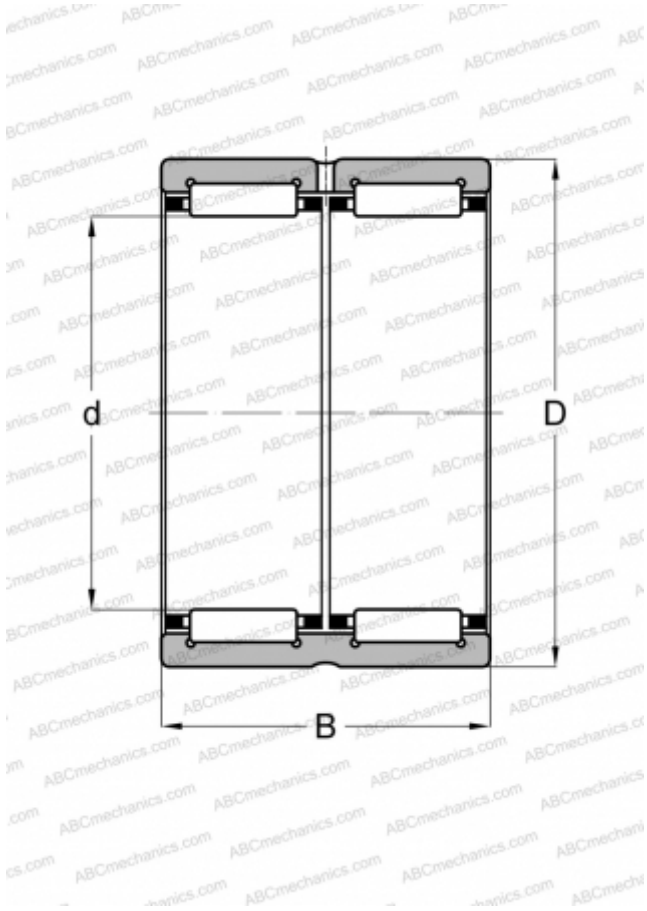


RNA 6902 UU IKO

Needle roller bearings

TYPE: Roller bearings, Needle, Double row, Lip seals on both side, metric, With machined rings with flanges, without an inner ring



Technical specification

DIMENSIONS, MM

d	20,000
D	28,000
B	23,000

WEIGHT, KG

0,038

MANUFACTURER

[IKO](#)

INTERCHANGE

ABC	RNA 6902 2RS
-----	------------------------------

CALCULATION DATA

Basic dynamic load rating, C	18,500 kN
Basic static load rating, Co	27,100 kN