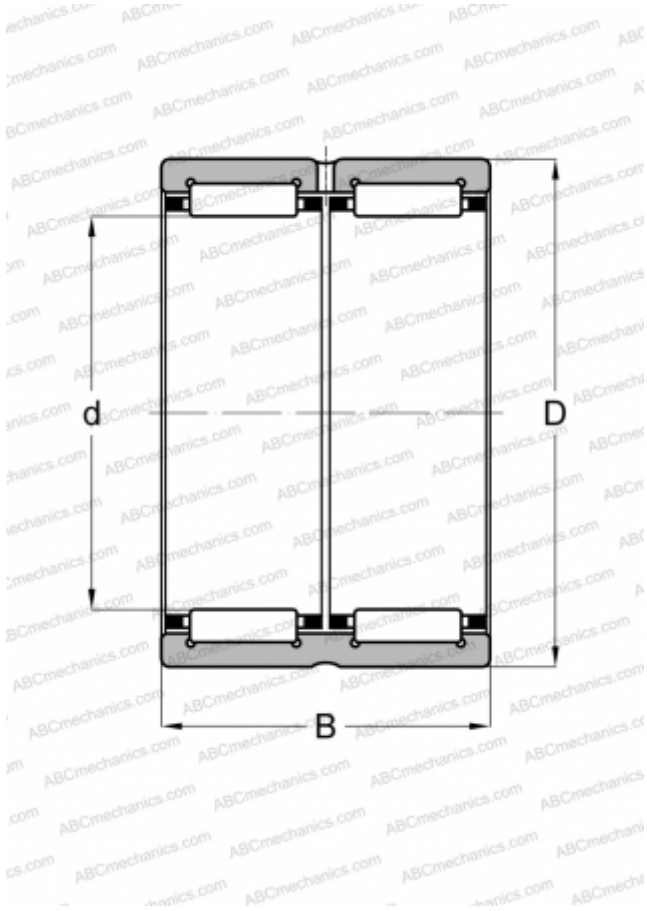


RNA 6903 UU IKO

Needle roller bearings

TYPE: Roller bearings, Needle, Double row, Lip seals on both side, metric, With machined rings with flanges, without an inner ring



Technical specification

DIMENSIONS, MM

d	22,000
D	30,000
B	23,000

WEIGHT, KG

0,041

MANUFACTURER

[IKO](#)

INTERCHANGE

ABC

[RNA 6903 2RS](#)

CALCULATION DATA

Basic dynamic load rating, C	19,800 kN
Basic static load rating, Co	30,600 kN