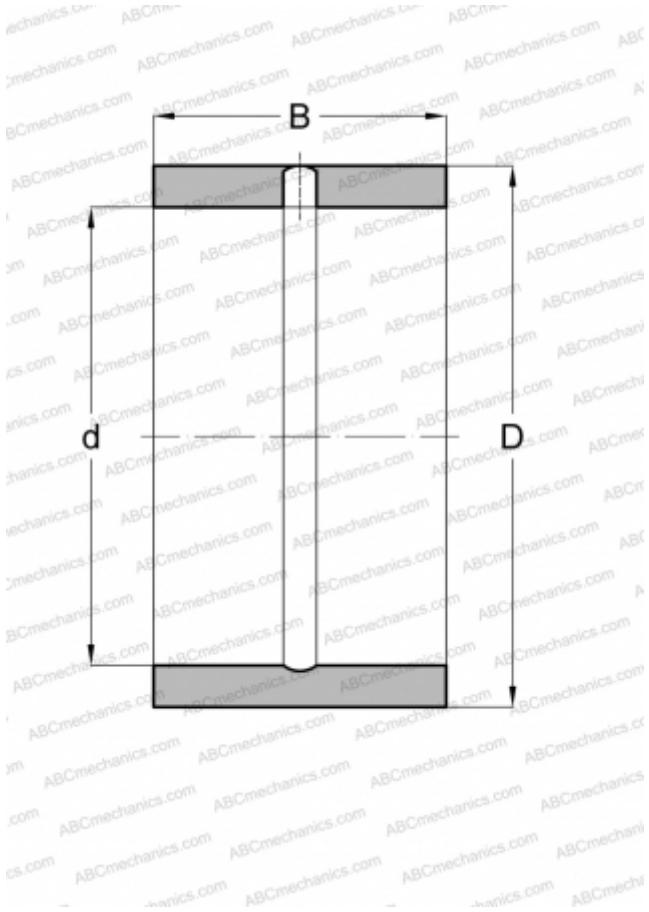


PI 061012 INA

Inner ring

TYPE: Rolling bearing parts and accessories, Inner ring, Inch size



Technical specification

DIMENSIONS, MM

d	9,525
D	15,875
B	19,050

WEIGHT, KG

0,018

MANUFACTURER

[INA](#)

INTERCHANGE

ABC	MI 6 N
McGill	MI-6-N
RBC	IR-7133
TORRINGTON	IR-061012
KOYO	IR-061012
IKO	LRB 61012