

MI-7-N McGill

Inner ring

TYPE: Rolling bearing parts and accessories, Inner ring, Inch size

Technical specification

DIMENSIONS, MM

d	11,113
D	15,875
B	19,050

WEIGHT, KG

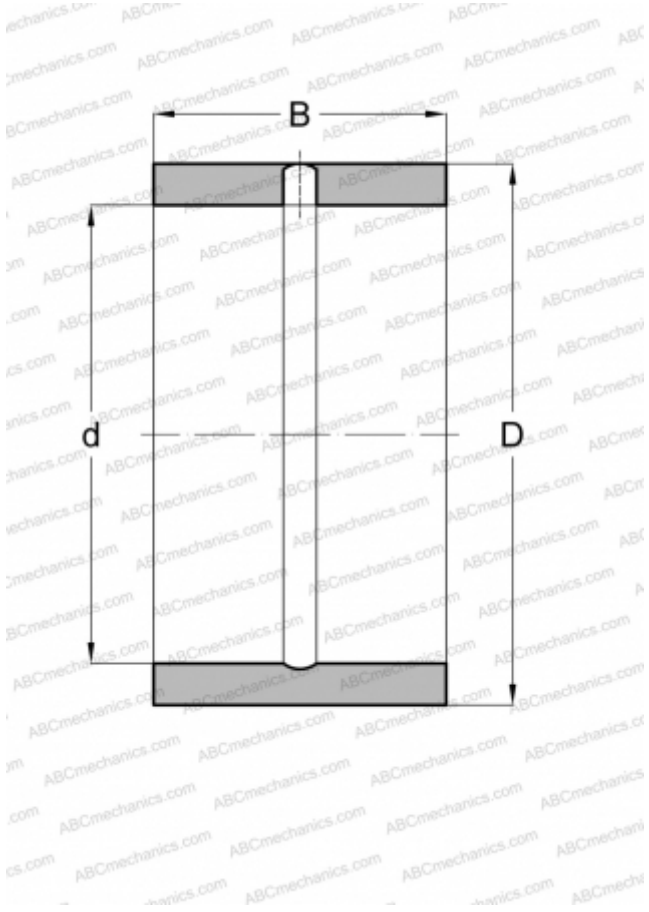
0,018

MANUFACTURER

[McGill](#)

INTERCHANGE

ABC	MI 7 N
-----	------------------------



ASSOCIATED PRODUCTS

MR-10-N