

MI-9-N McGill

Inner ring

TYPE: Rolling bearing parts and accessories, Inner ring, Inch size

Technical specification

DIMENSIONS, MM

d	14,288
D	19,050
B	19,050

WEIGHT, KG

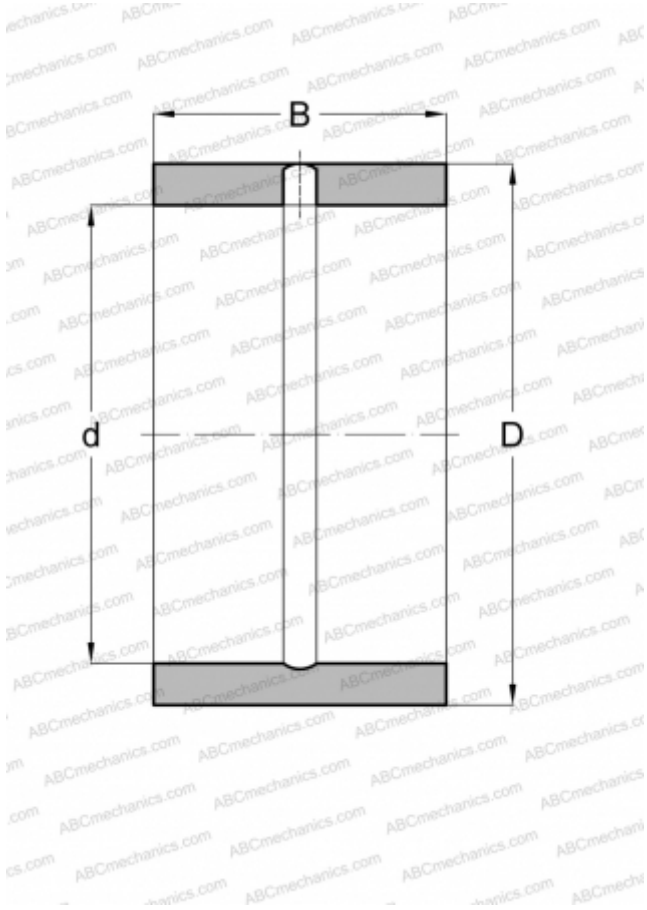
0,018

MANUFACTURER

[McGill](#)

INTERCHANGE

ABC	MI 9 N
RBC	IR-7153-C



ASSOCIATED PRODUCTS

MR-12-N