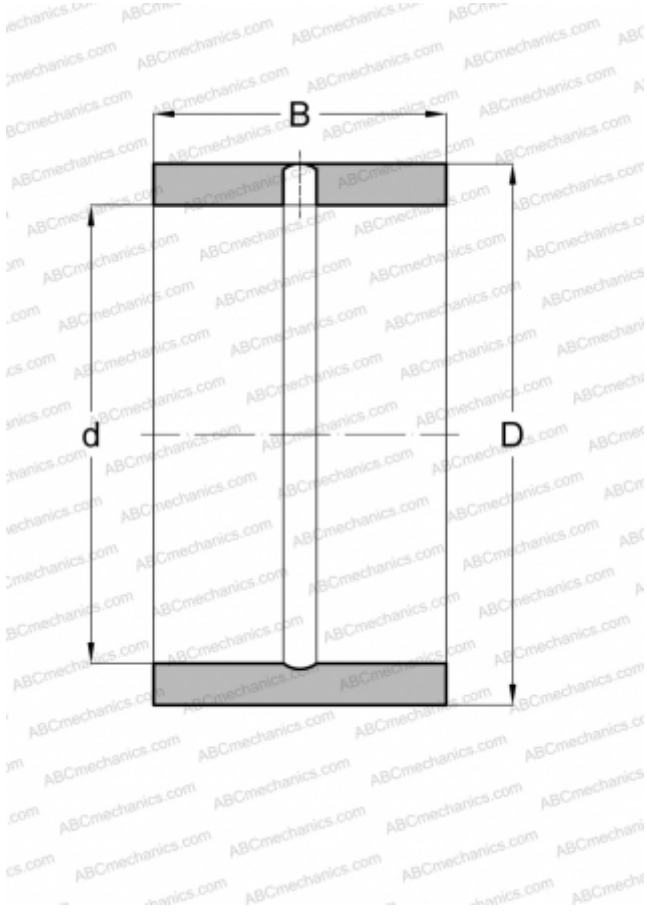


## MI-10 McGill

Inner ring

TYPE: Rolling bearing parts and accessories, Inner ring, Inch size



### Technical specification

#### DIMENSIONS, MM

d	15,875
D	22,225
B	25,400

#### WEIGHT, KG

0,036

#### MANUFACTURER

[McGill](#)

#### INTERCHANGE

ABC	<a href="#">MI 10</a>
RBC	<a href="#">IR-7174</a>
TORRINGTON	<a href="#">IR-101416</a>
KOYO	<a href="#">IR-101416</a>
IKO	<a href="#">LRB 101416</a>
INA	<a href="#">PI 101416</a>

#### ASSOCIATED PRODUCTS

MR-14