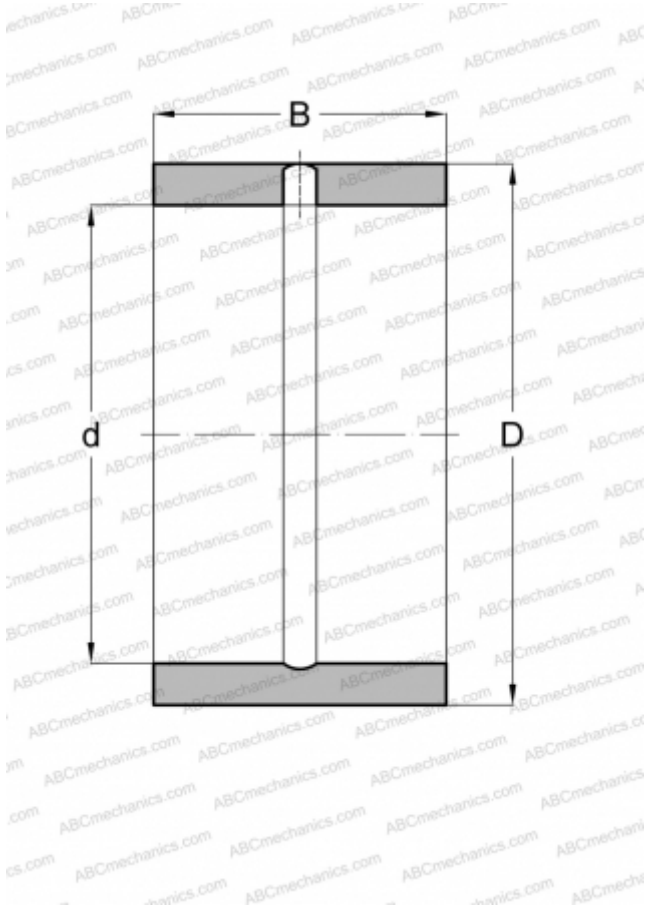


## MI 14 ABC

Inner ring

TYPE: Rolling bearing parts and accessories, Inner ring, Inch size



### Technical specification

#### DIMENSIONS, MM

d	22,225
D	28,575
B	31,750

#### WEIGHT, KG

0,059

#### MANUFACTURER

[ABC](#)

#### INTERCHANGE

McGill	<a href="#">MI-14</a>
RBC	<a href="#">IR-7215</a>
TORRINGTON	<a href="#">IR-141820</a>
KOYO	<a href="#">IR-141820</a>
IKO	<a href="#">LRB 141820</a>
INA	<a href="#">PI 141820</a>

#### ASSOCIATED PRODUCTS

MR-18