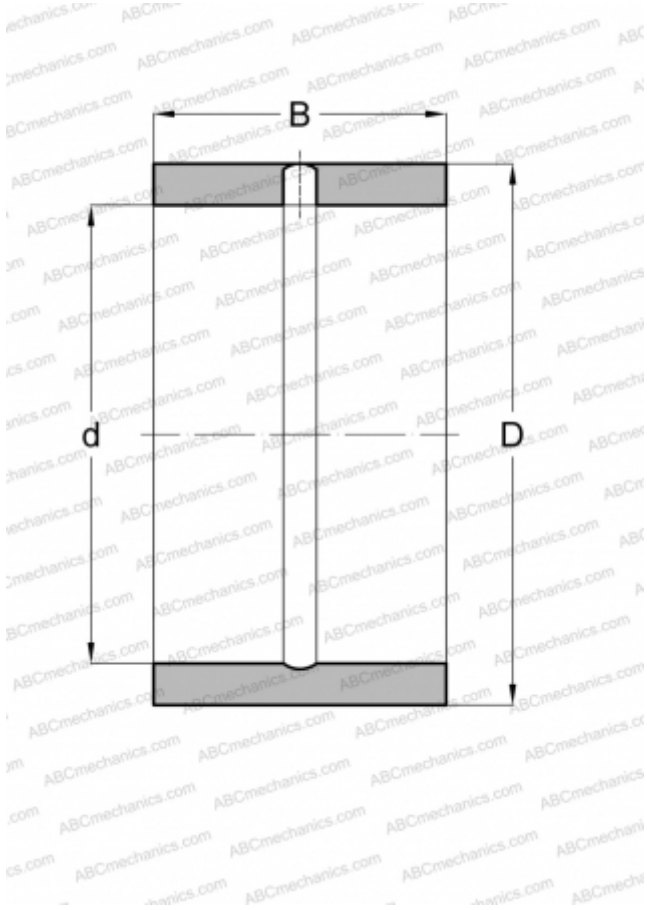


PI 222620 INA

Inner ring

TYPE: Rolling bearing parts and accessories, Inner ring, Inch size



Technical specification

DIMENSIONS, MM

d	34,925
D	41,275
B	31,750

WEIGHT, KG

0,091

MANUFACTURER

[INA](#)

INTERCHANGE

ABC	MI 22 4S
ABC	PI 222620
McGill	MI-22-4S
RBC	IR-7295-C
TORRINGTON	IR-222620
KOYO	IR-222620
IKO	LRB 222620