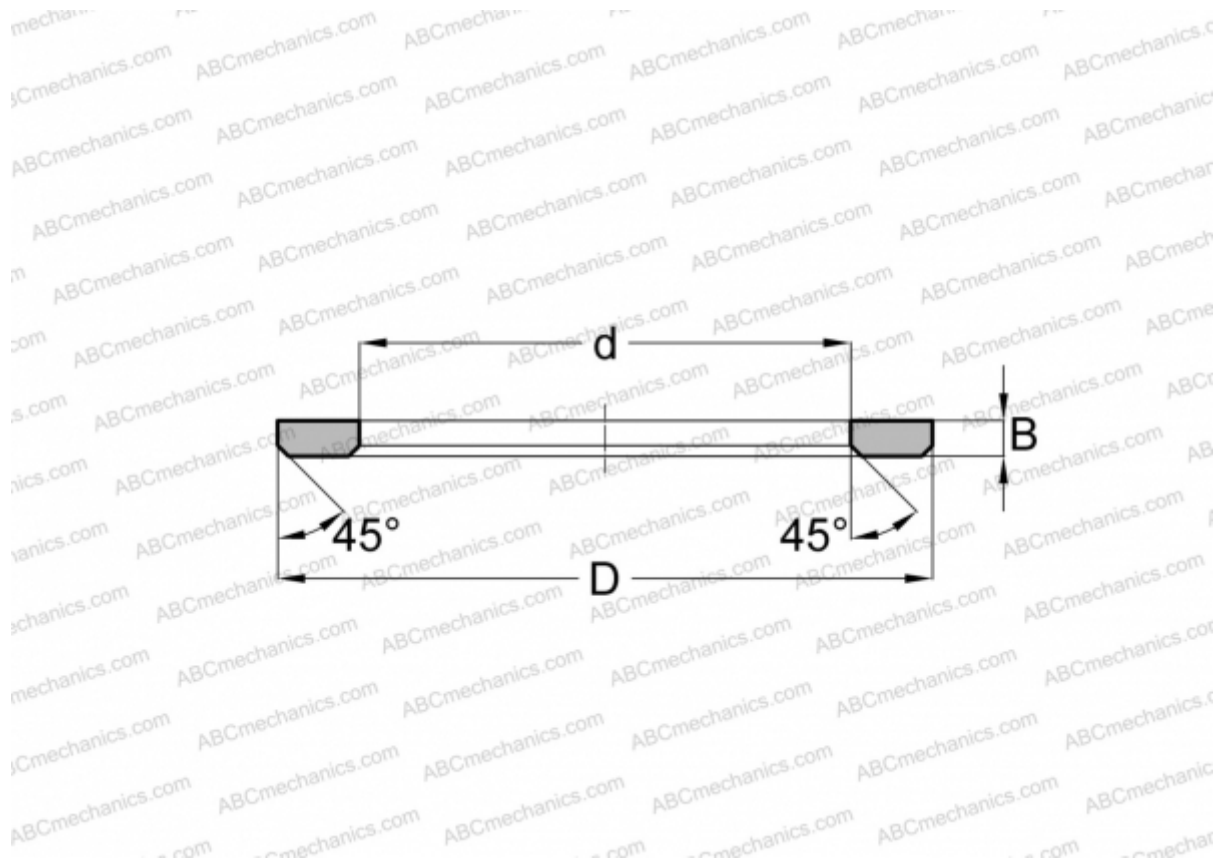


AS 1629 IKO

Axial bearing washer

TYPE: Rolling bearing parts and accessories, Rolling elements, Axial bearing washers, Type AS, suitable for AXK AND K811..



Technical specification

DIMENSIONS, MM

d	16,000
D	29,000
B	1,000

WEIGHT, KG 0,004

MANUFACTURER [IKO](#)

INTERCHANGE

ABC	AS 1629
-----	-------------------------