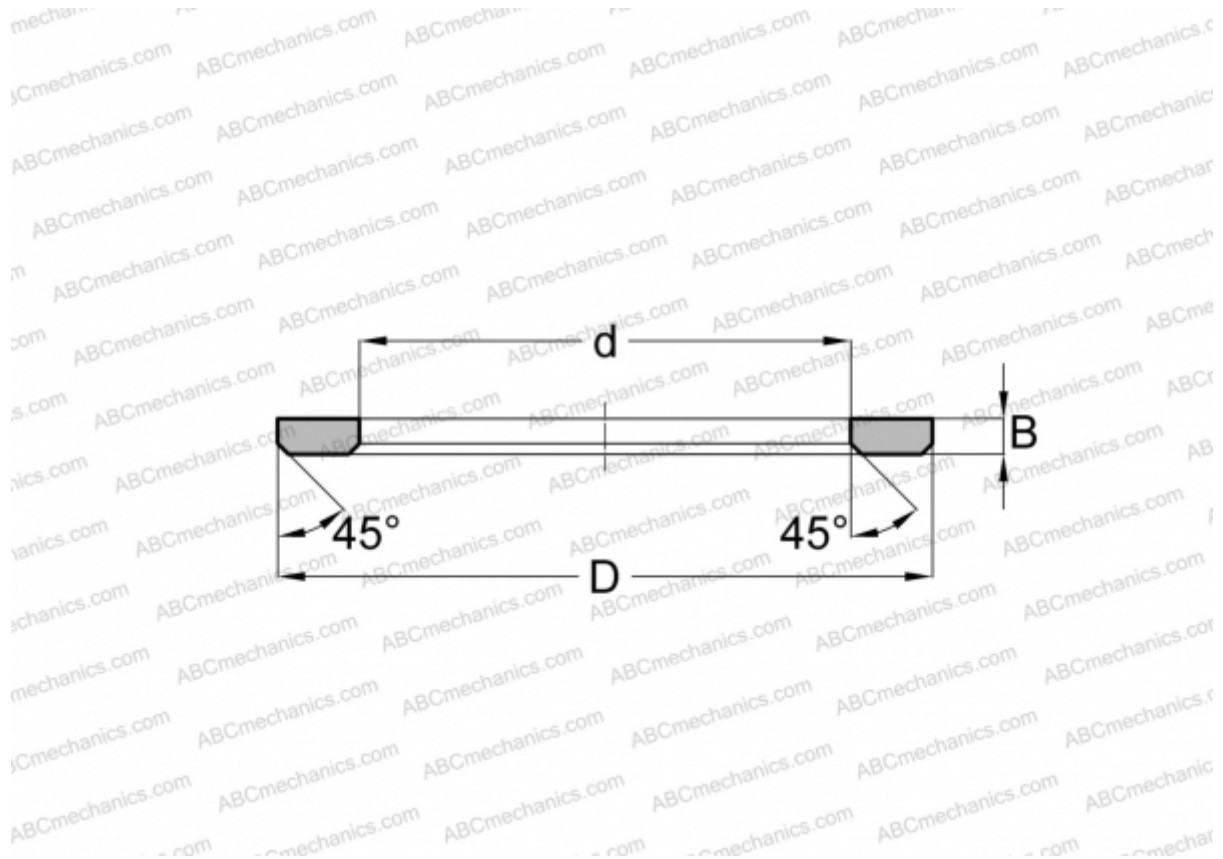


## FTRA-5070 TORRINGTON

Axial bearing washer

TYPE: Rolling bearing parts and accessories, Rolling elements, Axial bearing washers, Type AS, suitable for AXK AND K811..



### Technical specification

#### DIMENSIONS, MM

d	50,000
D	70,000
B	1,000

**WEIGHT, KG** 0,018

**MANUFACTURER** [TORRINGTON](#)

#### INTERCHANGE

ABC	<a href="#">AS5070</a>
FAG	<a href="#">AS5070</a>
INA	<a href="#">AS5070</a>
NTN	<a href="#">AAS 1110</a>
SKF	<a href="#">AS5070/ XWA507001</a>
IKO	<a href="#">AS 5070</a>