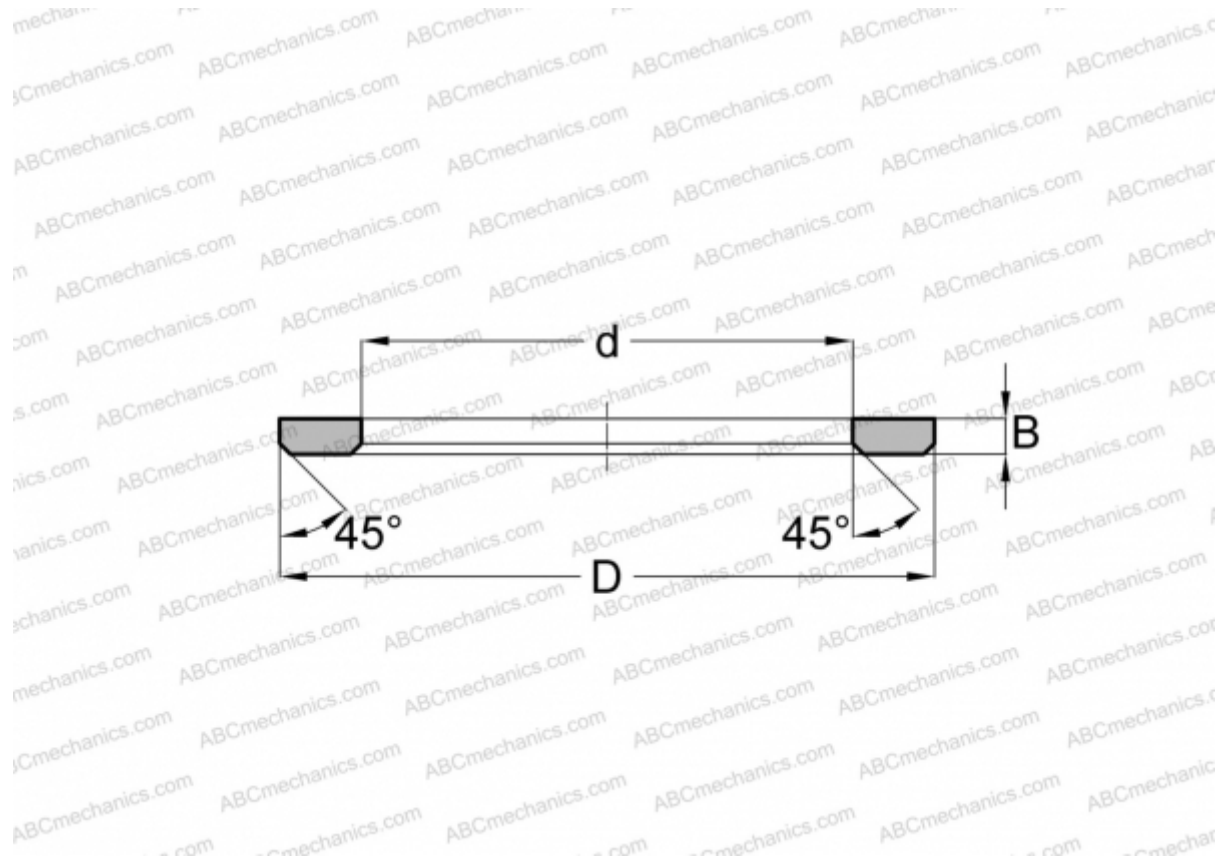


AS 90120 IKO

Axial bearing washer

TYPE: Rolling bearing parts and accessories, Rolling elements, Axial bearing washers, Type AS, suitable for AXK AND K811..



Technical specification

DIMENSIONS, MM

d	90,000
D	120,000
B	1,000

WEIGHT, KG 0,038

MANUFACTURER [IKO](#)

INTERCHANGE

ABC	AS90120
FAG	AS90120
INA	AS90120
NTN	AAS 1118
SKF	AS90120/ XWA9012001
TORRINGTON	FTRA-90120