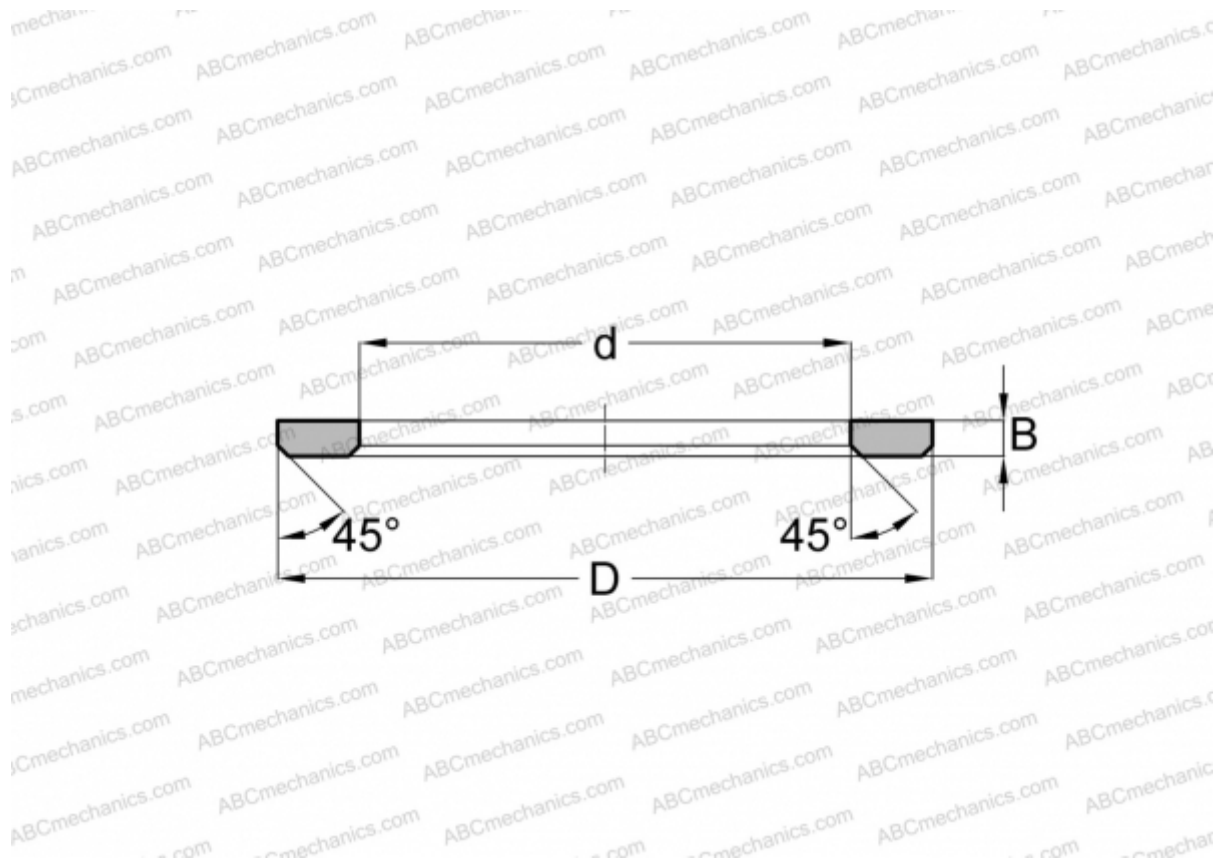


AS110145 ABC

Axial bearing washer

TYPE: Rolling bearing parts and accessories, Rolling elements, Axial bearing washers, Type AS, suitable for AXK AND K811..



Technical specification

DIMENSIONS, MM

d	110,000
D	145,000
B	1,000

WEIGHT, KG 0,059

MANUFACTURER [ABC](#)

INTERCHANGE

FAG	AS110145
INA	AS110145
NTN	AAS 1122
SKF	AS110145/ XWA11014501