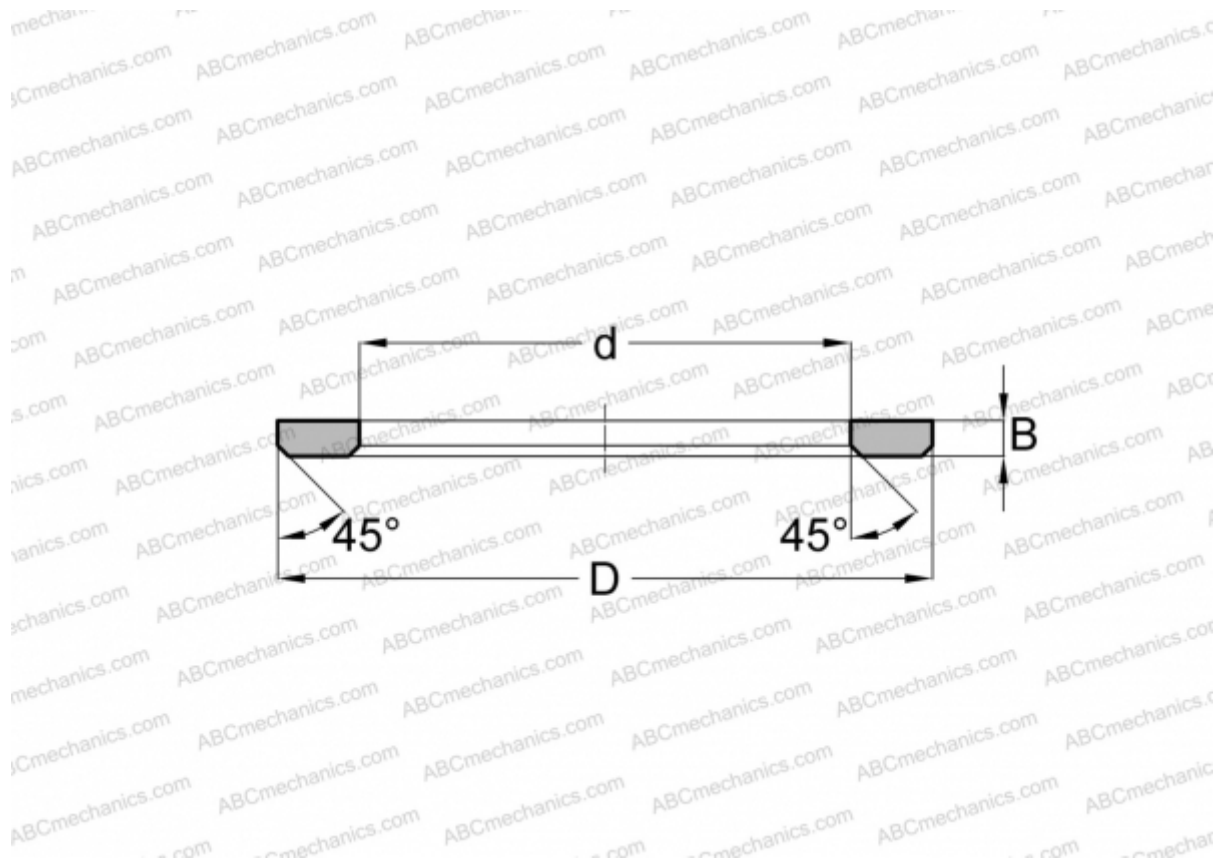


AS110145 INA

Axial bearing washer

TYPE: Rolling bearing parts and accessories, Rolling elements, Axial bearing washers, Type AS, suitable for AXK AND K811..



Technical specification

DIMENSIONS, MM

d	110,000
D	145,000
B	1,000

WEIGHT, KG 0,059

MANUFACTURER [INA](#)

INTERCHANGE

ABC	AS110145
FAG	AS110145
NTN	AAS 1122
SKF	AS110145/ XWA11014501