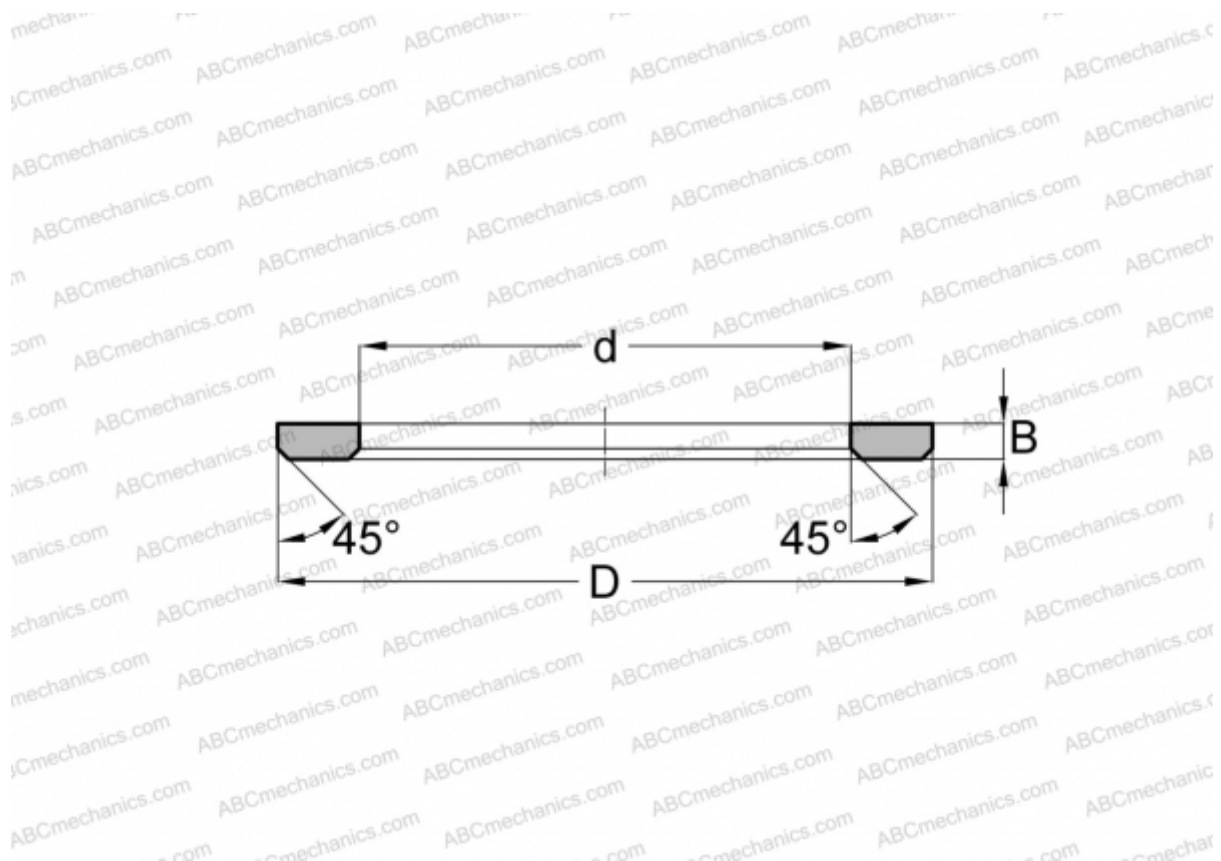


AS120155 FAG

Axial bearing washer

TYPE: Rolling bearing parts and accessories, Rolling elements, Axial bearing washers, Type AS, suitable for AXK AND K811..



Technical specification

DIMENSIONS, MM

d	120,000
D	155,000
B	1,000

WEIGHT, KG 0,059

MANUFACTURER [FAG](#)

INTERCHANGE

ABC	AS120155
INA	AS120155
NTN	AAS 1124
SKF	AS120155/ XWA12015501