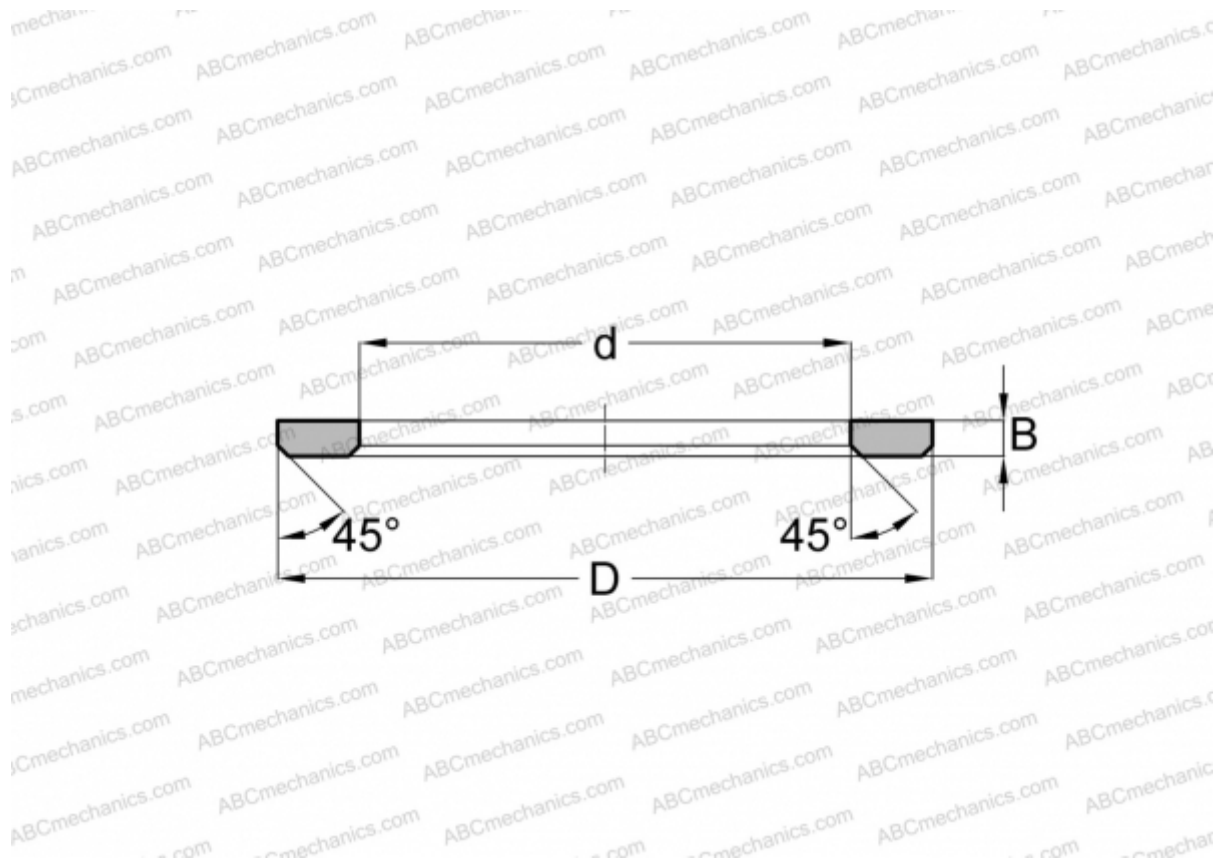


AS160200 INA

Axial bearing washer

TYPE: Rolling bearing parts and accessories, Rolling elements, Axial bearing washers, Type AS, suitable for AXK AND K811..



Technical specification

DIMENSIONS, MM

| | |
|---|---------|
| d | 160,000 |
| D | 200,000 |
| B | 1,000 |

WEIGHT, KG 0,091

MANUFACTURER [INA](#)

INTERCHANGE

| | |
|-----|---------------------------------------|
| ABC | AS160200 |
| FAG | AS160200 |
| NTN | AAS 1132 |
| SKF | AS160200/ XWA16020001 |