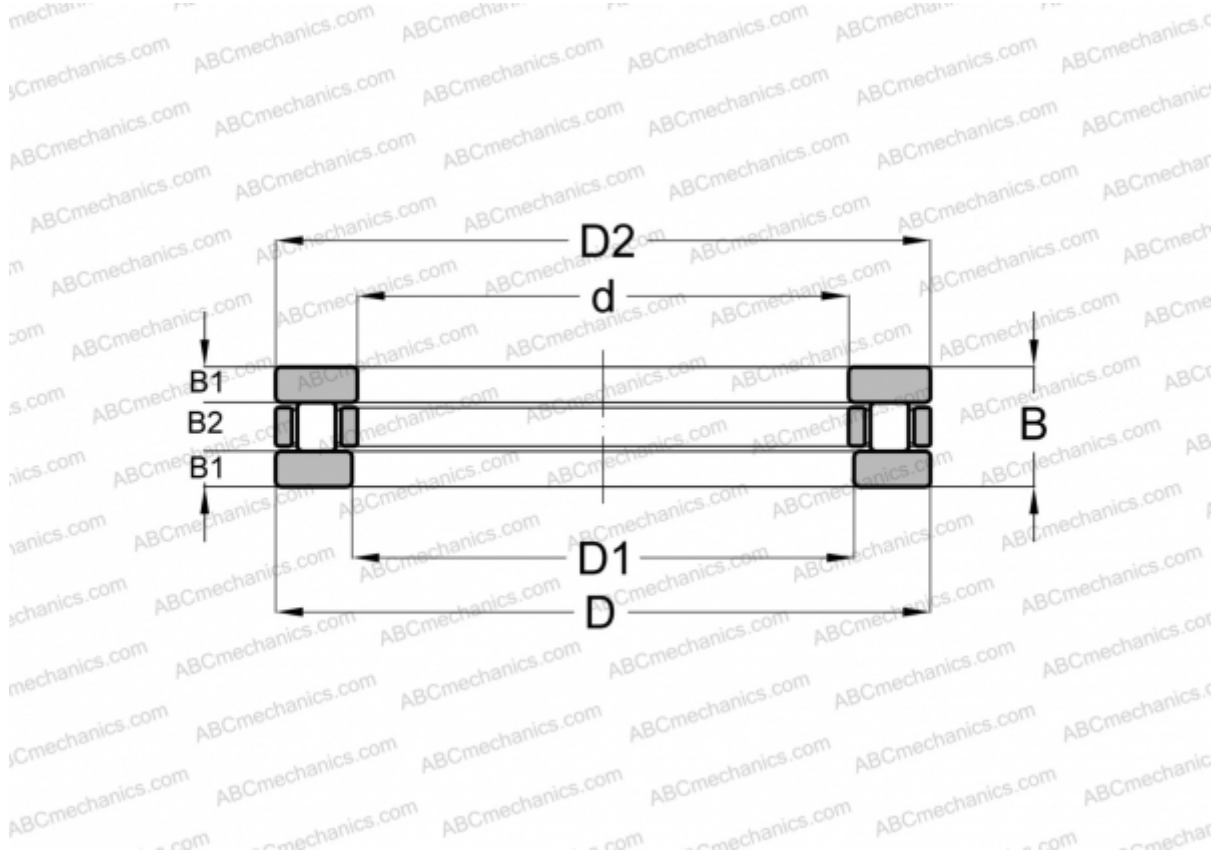


## 81203 ABC

Cylindrical roller thrust bearings

TYPE: Roller bearings, Thrust roller bearing, Cylindrical, Single direction



### Technical specification

#### DIMENSIONS, MM

d	17,000
D	35,000
D1	19,000
D2	35,000
B	12,000
B1	3,250
B2	5,500

**WEIGHT, KG** 0,049

**MANUFACTURER** [ABC](#)