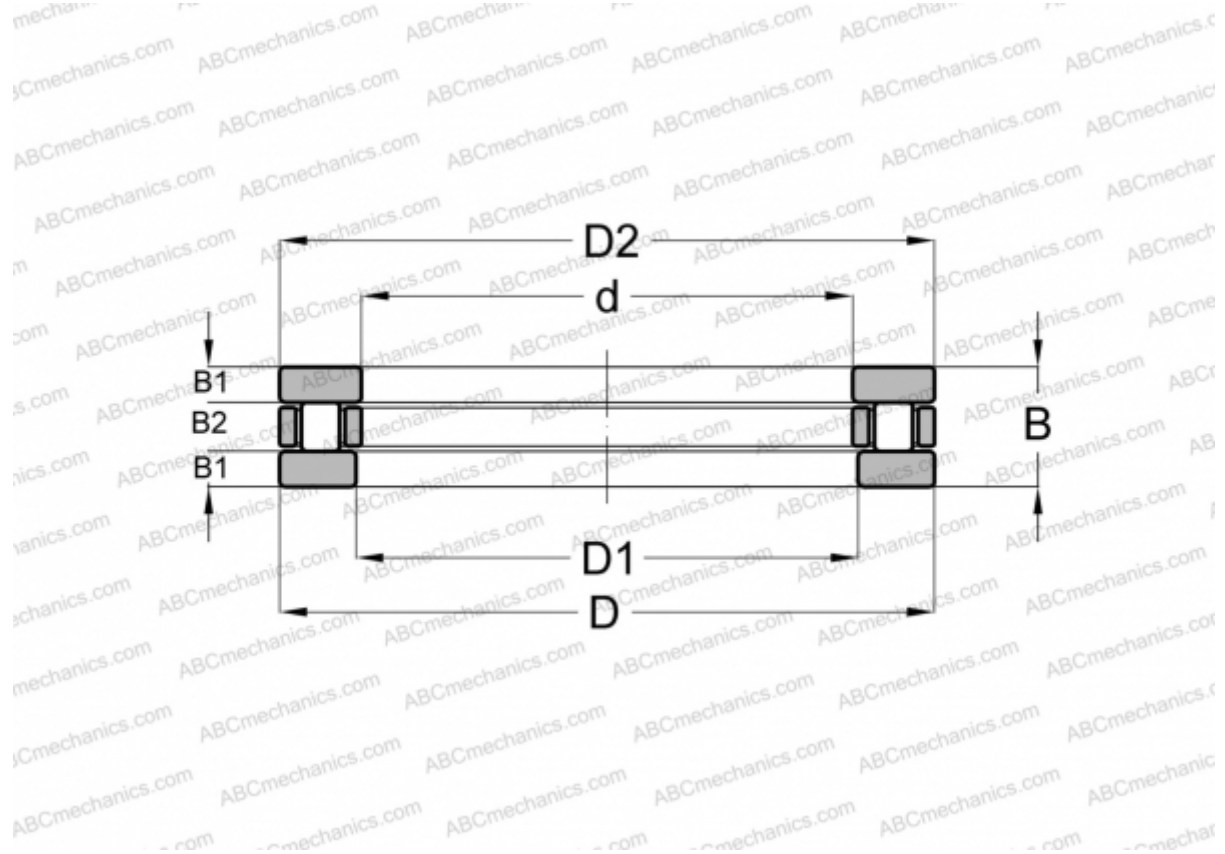


## AZ 457320 IKO

Cylindrical roller thrust bearings

TYPE: Roller bearings, Thrust roller bearing, Cylindrical, Single direction



### Technical specification

#### DIMENSIONS, MM

|    |        |
|----|--------|
| d  | 45,000 |
| D  | 73,000 |
| D1 | 45,050 |
| B  | 20,000 |
| B1 | 5,500  |
| B2 | 9,000  |

**WEIGHT, KG** 0,360

**MANUFACTURER** [IKO](#)

#### INTERCHANGE

|     |                          |
|-----|--------------------------|
| ABC | <a href="#">81209</a>    |
| SKF | <a href="#">81209</a>    |
| INA | <a href="#">81209 TN</a> |

#### INCLUDED PRODUCTS

AZK 45739, GS 4573, WS 4573

#### CALCULATION DATA

|                              |            |
|------------------------------|------------|
| Basic dynamic load rating, C | 75,700 kN  |
| Basic static load rating, Co | 227,000 kN |