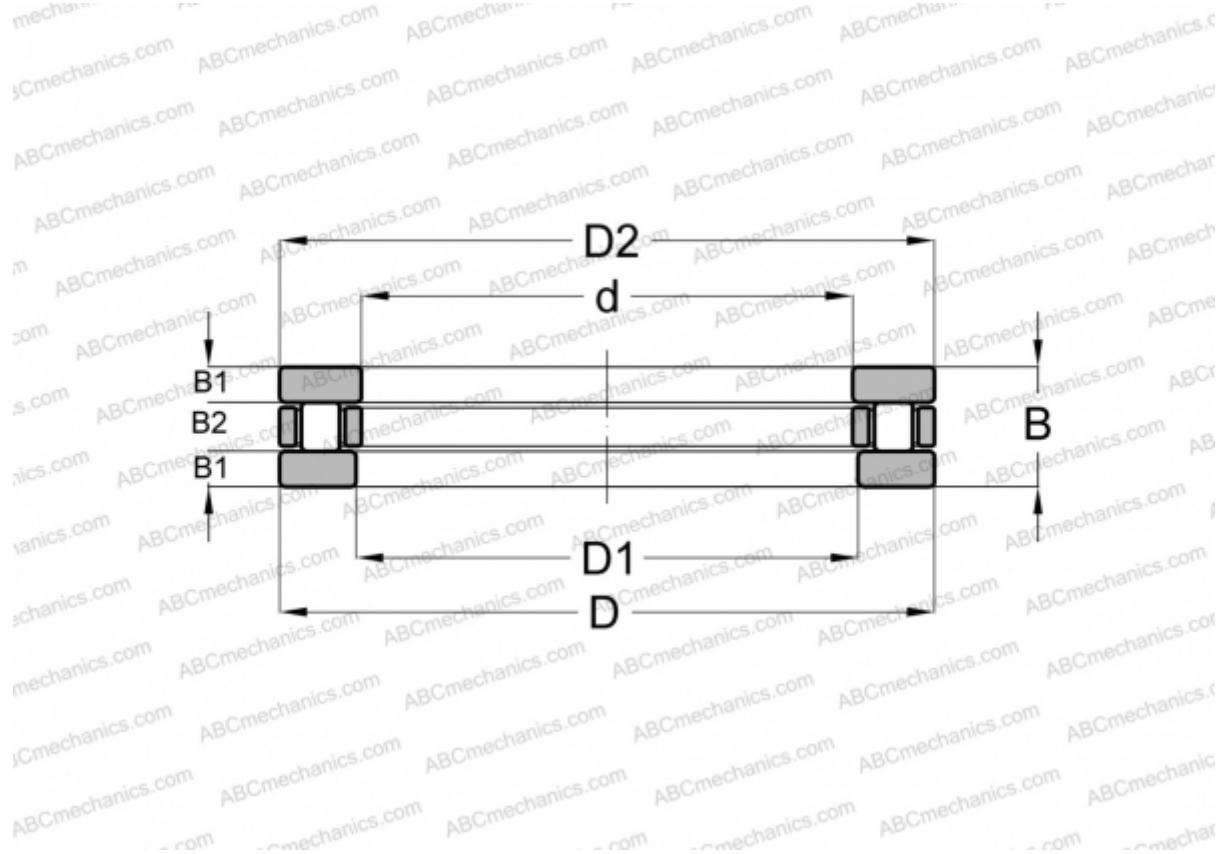


## AZ 507014 IKO

Cylindrical roller thrust bearings

TYPE: Roller bearings, Thrust roller bearing, Cylindrical, Single direction



### Technical specification

#### DIMENSIONS, MM

d	50,000
D	70,000
D1	50,050
B	14,000
B1	4,000
B2	6,000

**WEIGHT, KG** 0,185

**MANUFACTURER** [IKO](#)

#### INTERCHANGE

ABC	<a href="#">81110</a>
SKF	<a href="#">81110</a>
INA	<a href="#">81110 TN</a>

#### INCLUDED PRODUCTS

AZK 50706, GS 5070, WS 5070

#### CALCULATION DATA

Basic dynamic load rating, C	43,300 kN
Basic static load rating, Co	148,000 kN