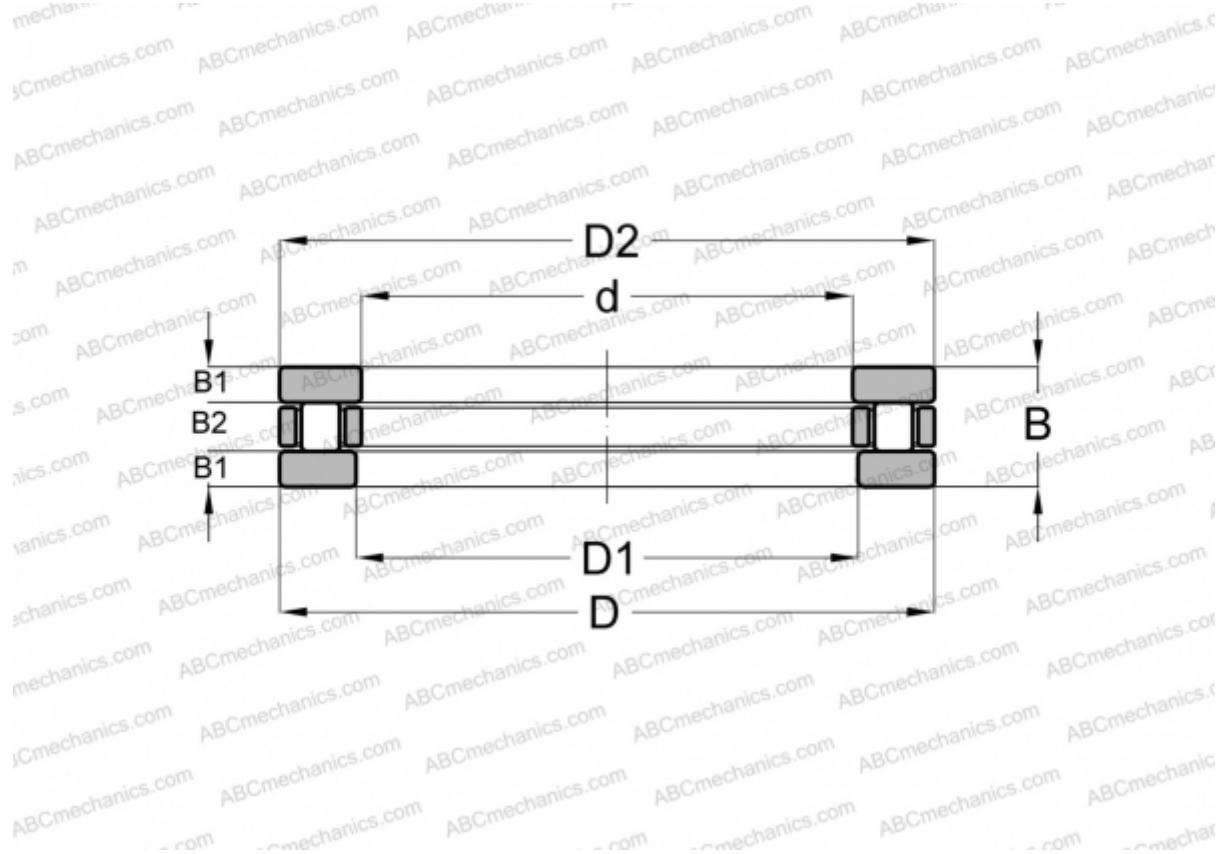


## 81112 TN INA

Cylindrical roller thrust bearings

TYPE: Roller bearings, Thrust roller bearing, Cylindrical, Single direction



### Technical specification

#### DIMENSIONS, MM

d	60,000
D	85,000
D1	62,000
D2	85,000
B	17,000
B1	4,750
B2	7,500

**WEIGHT, KG** 0,281

**MANUFACTURER** [INA](#)

#### INTERCHANGE

ABC	<a href="#">81112</a>
SKF	<a href="#">81112</a>
IKO	<a href="#">AZ 608517</a>