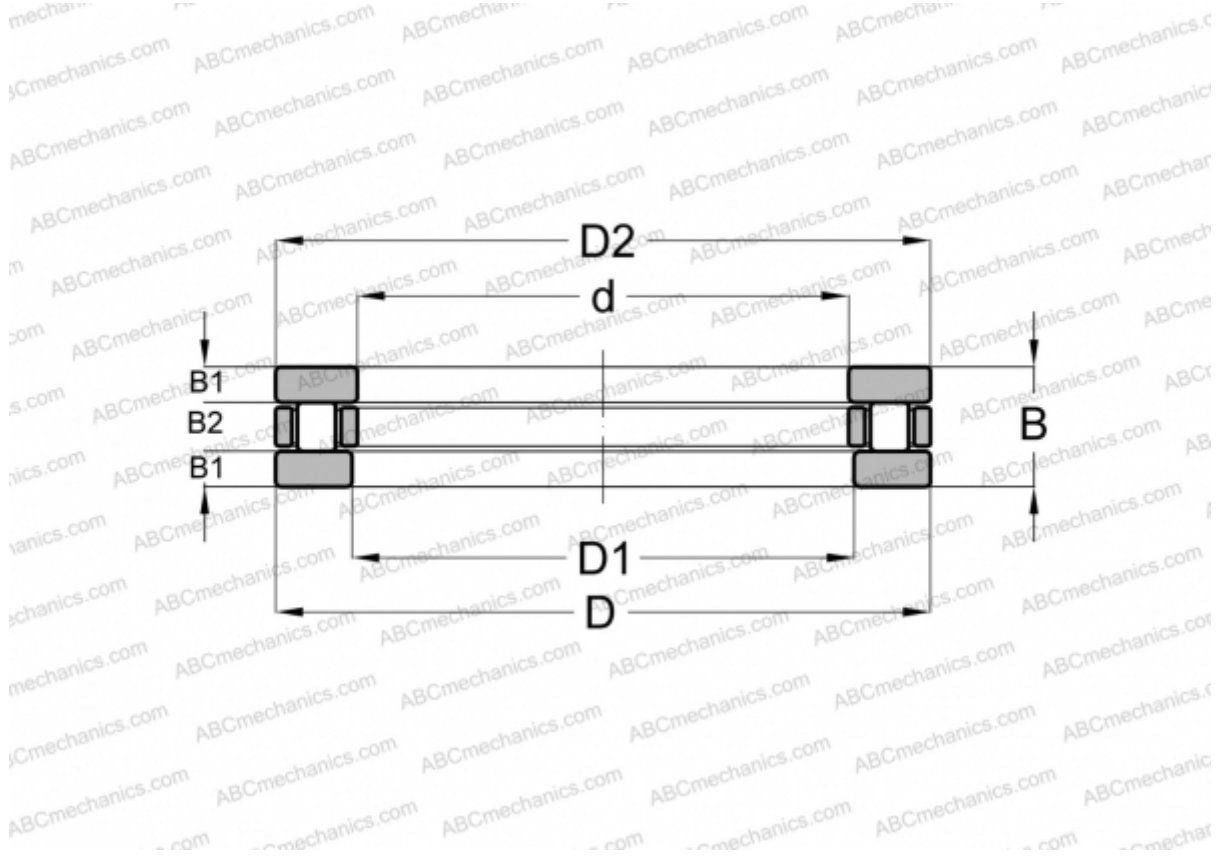


81212 SKF

Cylindrical roller thrust bearings

TYPE: Roller bearings, Thrust roller bearing, Cylindrical, Single direction



Technical specification

DIMENSIONS, MM

d	60,000
D	95,000
D1	62,000
D2	95,000
B	26,000
B1	7,500
B2	11,000

WEIGHT, KG 0,658

MANUFACTURER [SKF](#)

INTERCHANGE

ABC	81212
INA	81212 TN
IKO	AZ 609526