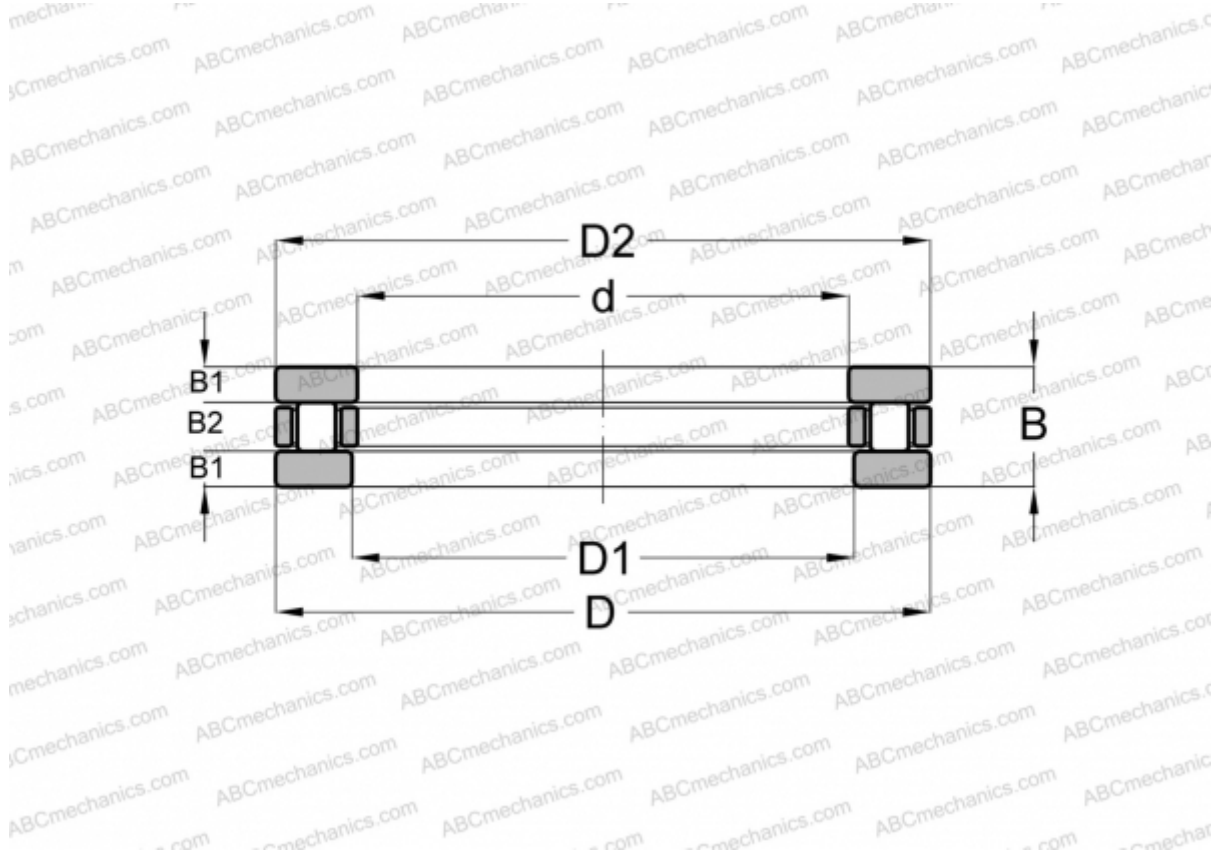


81214 TN INA

Cylindrical roller thrust bearings

TYPE: Roller bearings, Thrust roller bearing, Cylindrical, Single direction



Technical specification

DIMENSIONS, MM

d	70,000
D	105,000
D1	72,000
D2	105,000
B	27,000
B1	8,000
B2	11,000

WEIGHT, KG 0,776

MANUFACTURER [INA](#)

INTERCHANGE

ABC	81214
SKF	81214
IKO	AZ 7010527