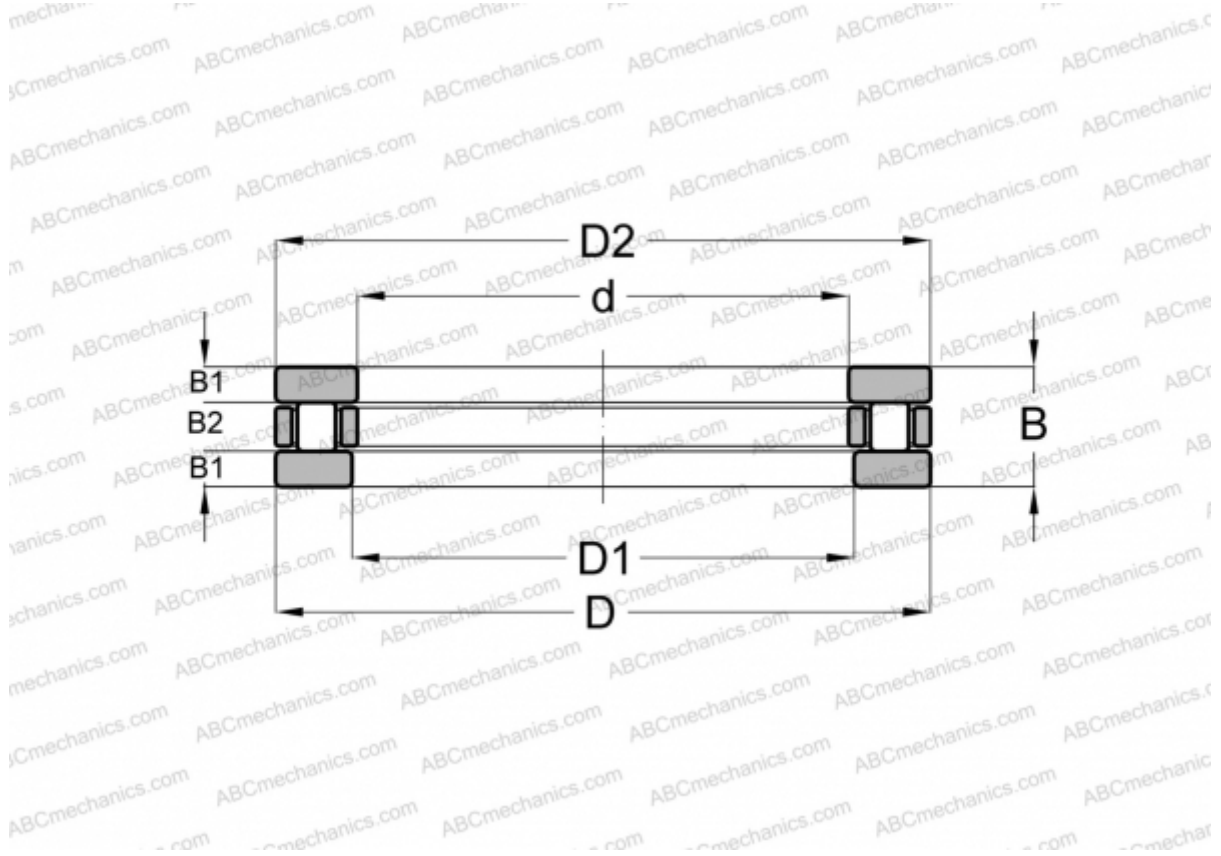


## 81216 SKF

Cylindrical roller thrust bearings

TYPE: Roller bearings, Thrust roller bearing, Cylindrical, Single direction



### Technical specification

#### DIMENSIONS, MM

d	80,000
D	115,000
D1	82,000
D2	115,000
B	28,000
B1	8,500
B2	11,000

**WEIGHT, KG** 0,907

**MANUFACTURER** [SKF](#)

#### INTERCHANGE

ABC	<a href="#">81216</a>
INA	<a href="#">81216 TN</a>
IKO	<a href="#">AZ 8011528</a>