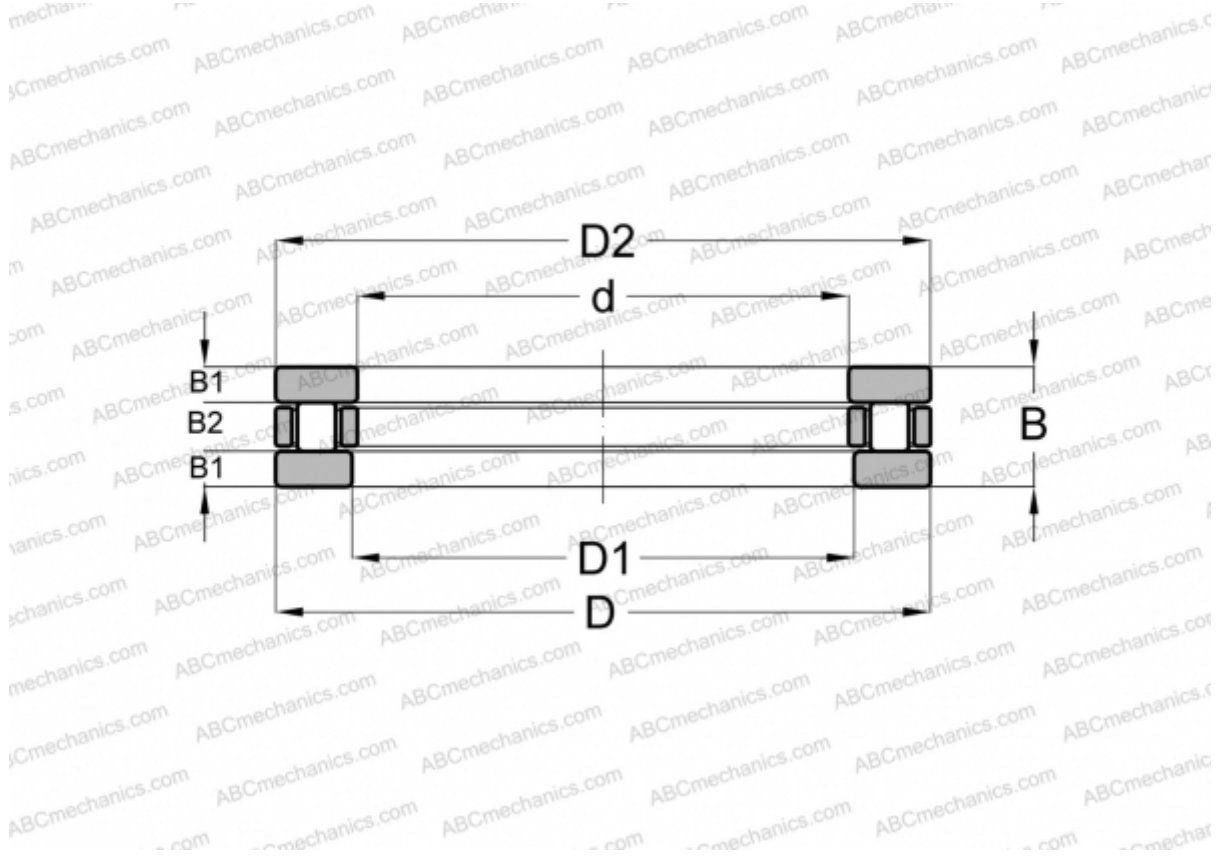


## 81118 SKF

Cylindrical roller thrust bearings

TYPE: Roller bearings, Thrust roller bearing, Cylindrical, Single direction



### Technical specification

#### DIMENSIONS, MM

d	90,000
D	120,000
D1	92,000
D2	120,000
B	22,000
B1	6,500
B2	9,000

**WEIGHT, KG** 0,649

**MANUFACTURER** [SKF](#)

#### INTERCHANGE

ABC	<a href="#">81118</a>
INA	<a href="#">81118</a>
IKO	<a href="#">AZ 9012022</a>