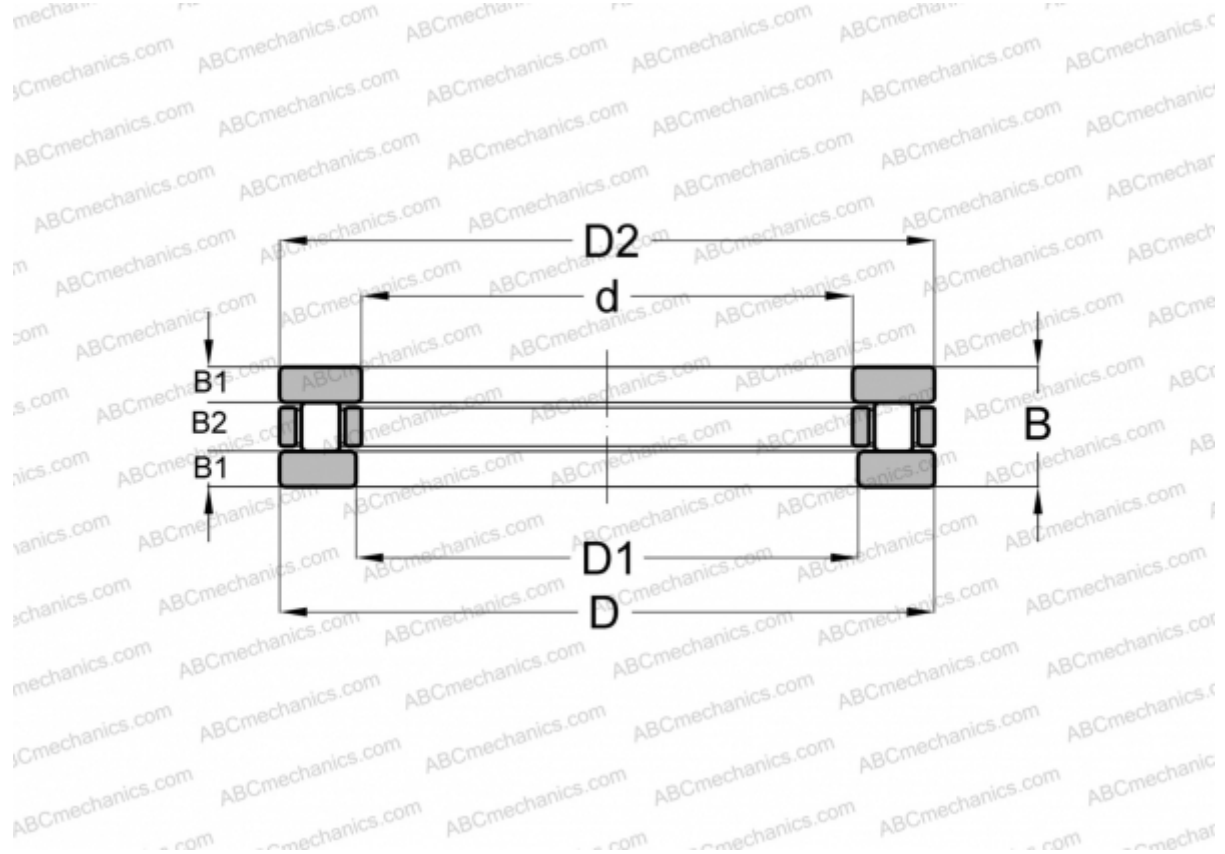


## AZ 10013525 IKO

Cylindrical roller thrust bearings

TYPE: Roller bearings, Thrust roller bearing, Cylindrical, Single direction



### Technical specification

#### DIMENSIONS, MM

d	100,000
D	135,000
D1	100,050
B	25,000
B1	7,000
B2	11,000

**WEIGHT, KG** 1,190

**MANUFACTURER** [IKO](#)

#### INTERCHANGE

ABC	<a href="#">81120</a>
SKF	<a href="#">81120</a>
INA	<a href="#">81120</a>

#### INCLUDED PRODUCTS

AZK 10013511, GS 100135, WS 100135

#### CALCULATION DATA

Basic dynamic load rating, C	136,000 kN
Basic static load rating, Co	522,000 kN