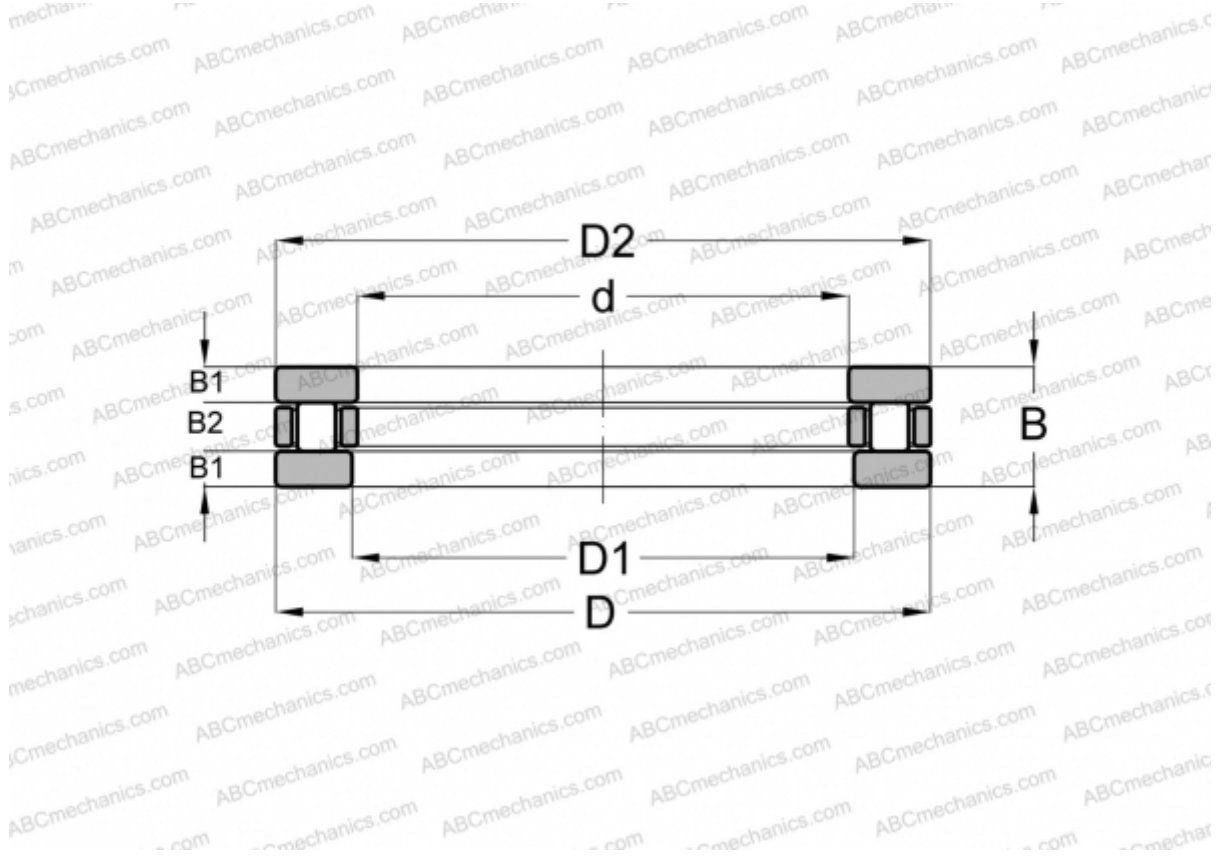


81220 ABC

Cylindrical roller thrust bearings

TYPE: Roller bearings, Thrust roller bearing, Cylindrical, Single direction



Technical specification

DIMENSIONS, MM

d	100,000
D	150,000
D1	103,000
D2	150,000
B	38,000
B1	11,500
B2	15,000

WEIGHT, KG 2,753

MANUFACTURER [ABC](#)

INTERCHANGE

SKF	81220
INA	81220
IKO	AZ 10015038