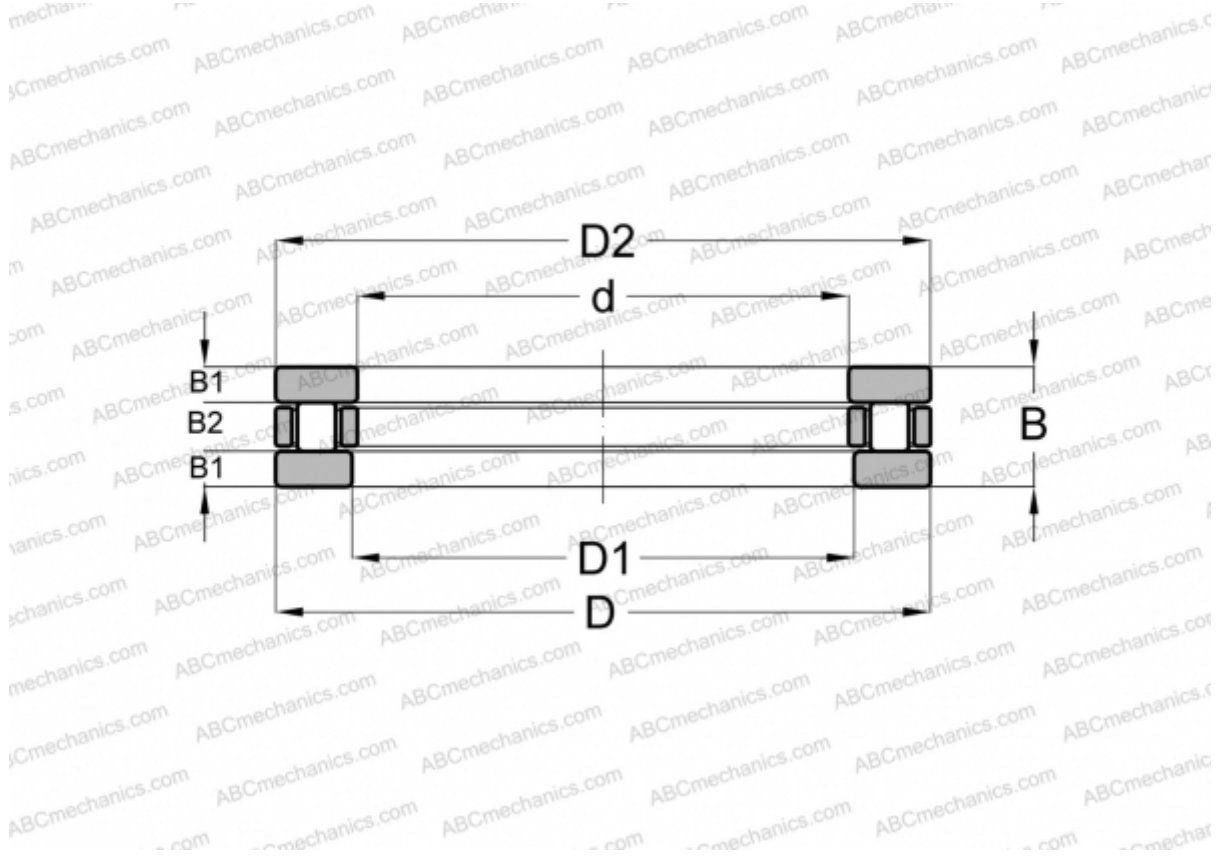


## 81220 INA

Cylindrical roller thrust bearings

TYPE: Roller bearings, Thrust roller bearing, Cylindrical, Single direction



### Technical specification

#### DIMENSIONS, MM

d	100,000
D	150,000
D1	103,000
D2	150,000
B	38,000
B1	11,500
B2	15,000

**WEIGHT, KG** 2,753

**MANUFACTURER** [INA](#)

#### INTERCHANGE

ABC	<a href="#">81220</a>
SKF	<a href="#">81220</a>
IKO	<a href="#">AZ 10015038</a>