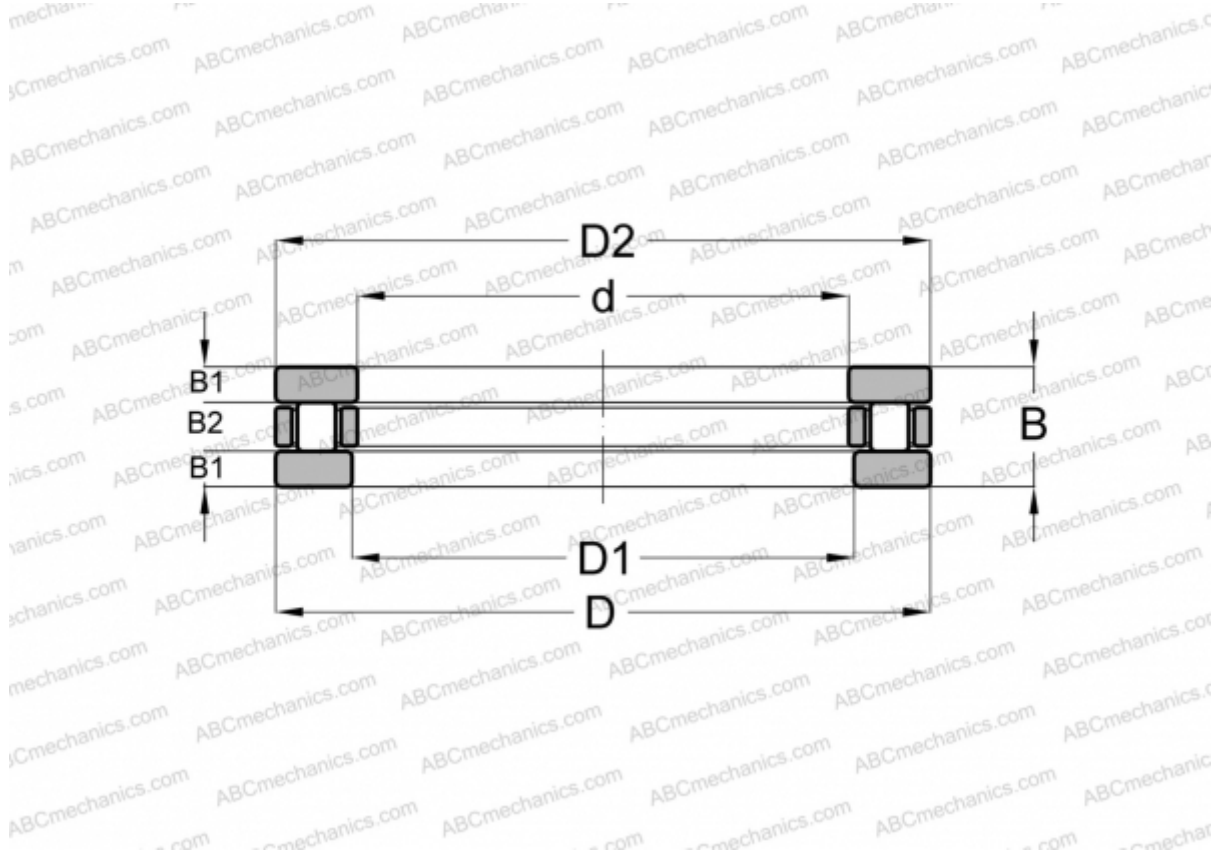


81124 INA

Cylindrical roller thrust bearings

TYPE: Roller bearings, Thrust roller bearing, Cylindrical, Single direction



Technical specification

DIMENSIONS, MM

d	120,000
D	155,000
D1	122,000
D2	155,000
B	25,000
B1	7,000
B2	11,000

WEIGHT, KG 1,306

MANUFACTURER [INA](#)

INTERCHANGE

ABC	81124
SKF	81124
IKO	AZ 12015525