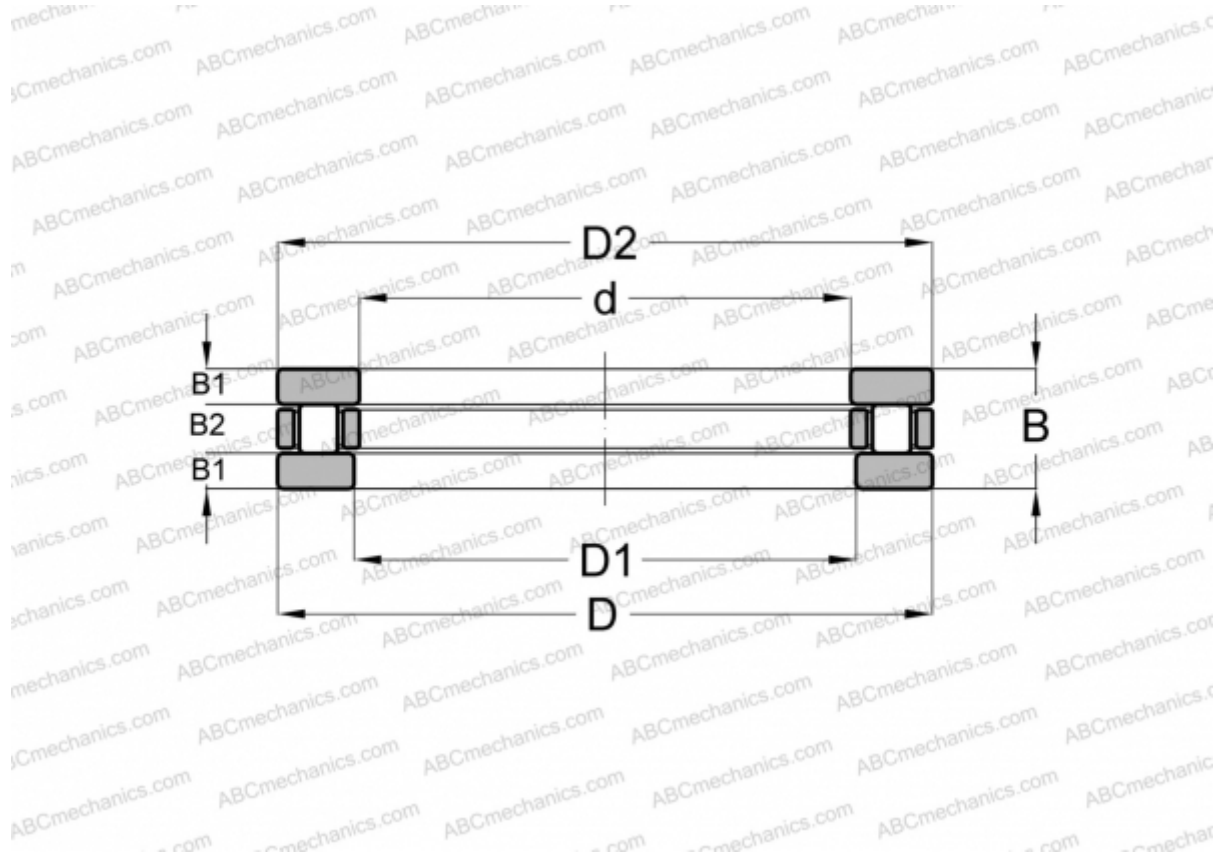


AZ 13023039 IKO

Cylindrical roller thrust bearings

TYPE: Roller bearings, Thrust roller bearing, Cylindrical, Single direction



Technical specification

DIMENSIONS, MM

d	130,000
D	230,000
D1	130,100
B	39,000
B1	12,000
B2	15,000

WEIGHT, KG 8,240

MANUFACTURER [IKO](#)

CALCULATION DATA

Basic dynamic load rating, C	440,000 kN
Basic static load rating, Co	2180,000 kN

INCLUDED PRODUCTS

AZK 13023015, GS 130230, WS 130230