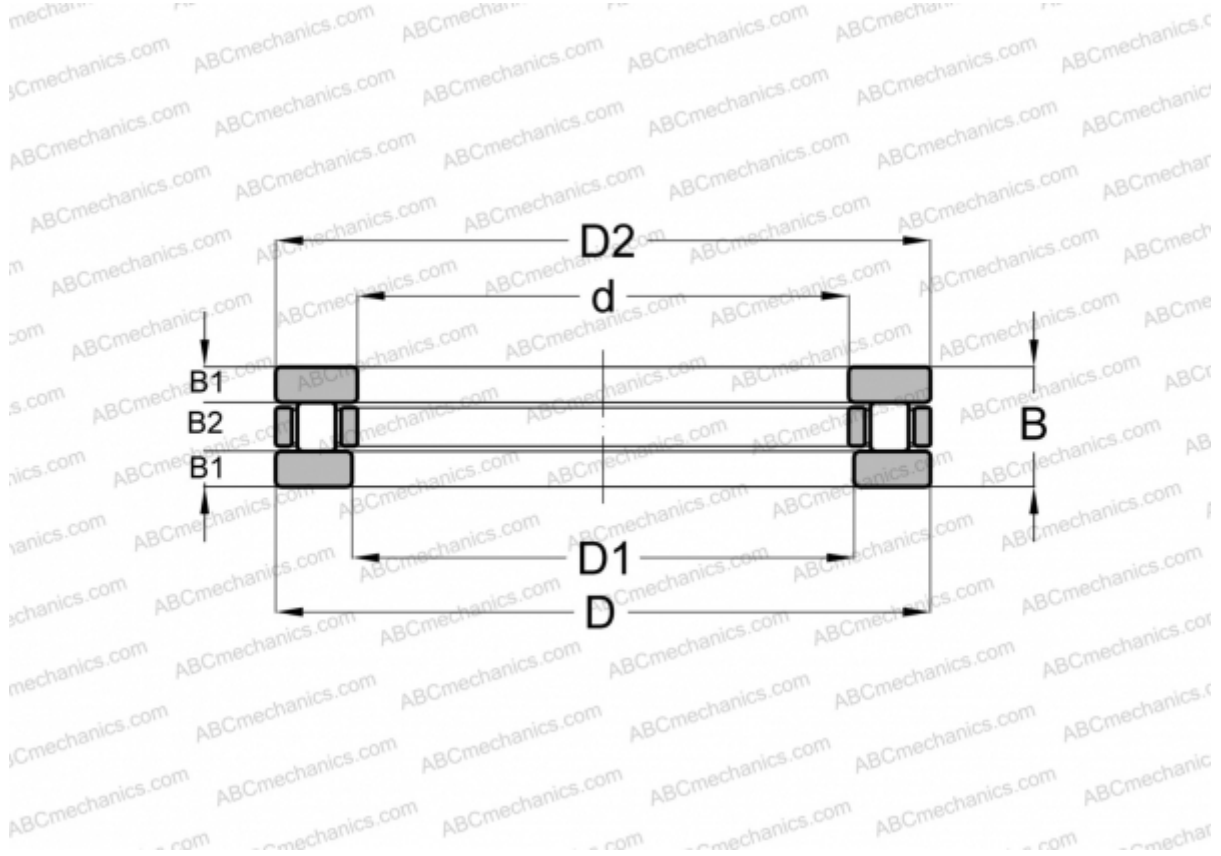


## 81109 TN SKF

Cylindrical roller thrust bearings

TYPE: Roller bearings, Thrust roller bearing, Cylindrical, Single direction



### Technical specification

#### DIMENSIONS, MM

d	45,000
D	65,000
D1	47,000
D2	65,000
B	14,000
B1	4,000
B2	6,000

**WEIGHT, KG** 0,130

**MANUFACTURER** [SKF](#)

#### CALCULATION DATA

Basic dynamic load rating, C	45,000 kN
Basic static load rating, Co	153,000 kN
Fatigue load limit, Pu	15,300 kN

#### INCLUDED PRODUCTS

K 81109 TN, WS 81109, GS 81109

#### CALCULATION DATA

Reference speed	2200 r/min
Limiting speed	4500 r/min