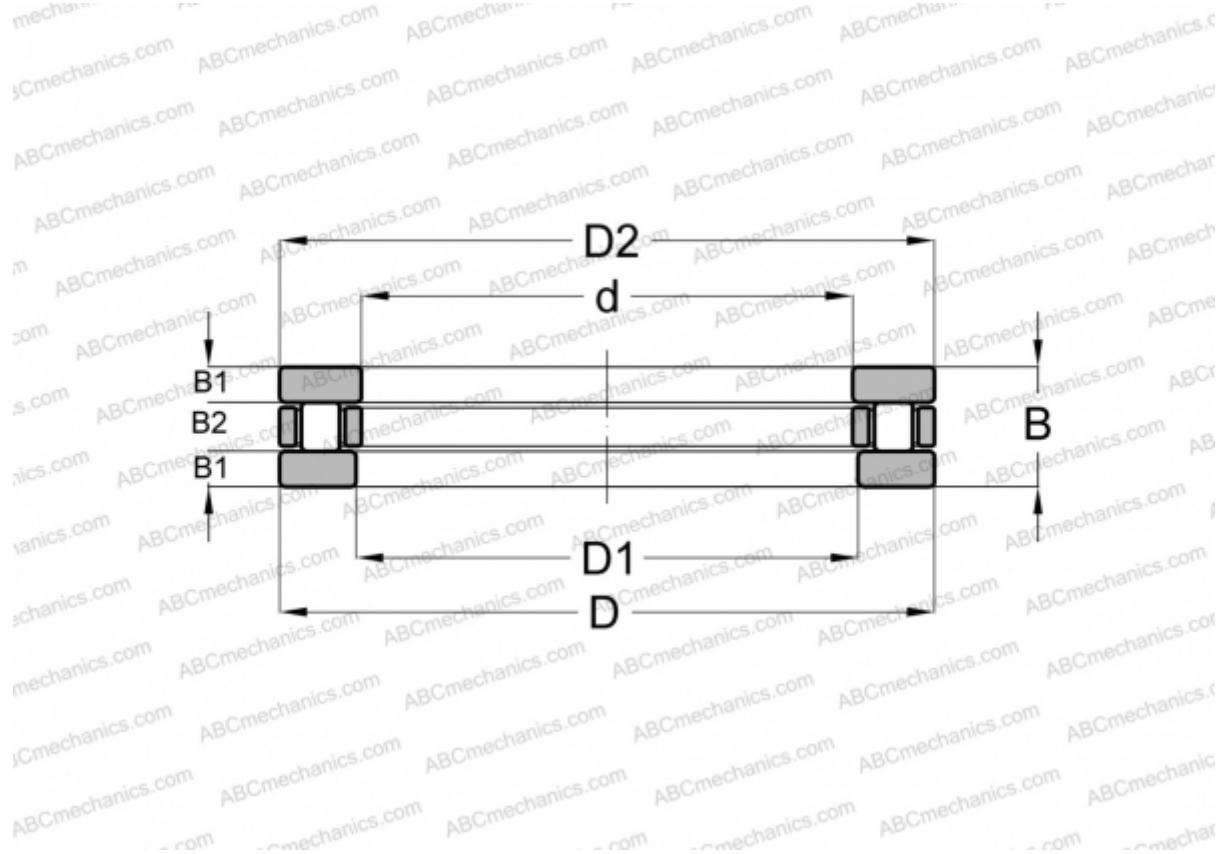


81218 TN SKF

Cylindrical roller thrust bearings

TYPE: Roller bearings, Thrust roller bearing, Cylindrical, Single direction



Technical specification

DIMENSIONS, MM

d	90,000
D	135,000
D1	93,000
D2	135,000
B	35,000
B1	10,500
B2	14,000

WEIGHT, KG 1,750

MANUFACTURER [SKF](#)

CALCULATION DATA

Basic dynamic load rating, C	232,000 kN
Basic static load rating, Co	865,000 kN
Fatigue load limit, Pu	90,000 kN

INCLUDED PRODUCTS

K 81218 TN, WS 81218, GS 81218

CALCULATION DATA

Reference speed	1000 r/min
Limiting speed	2000 r/min