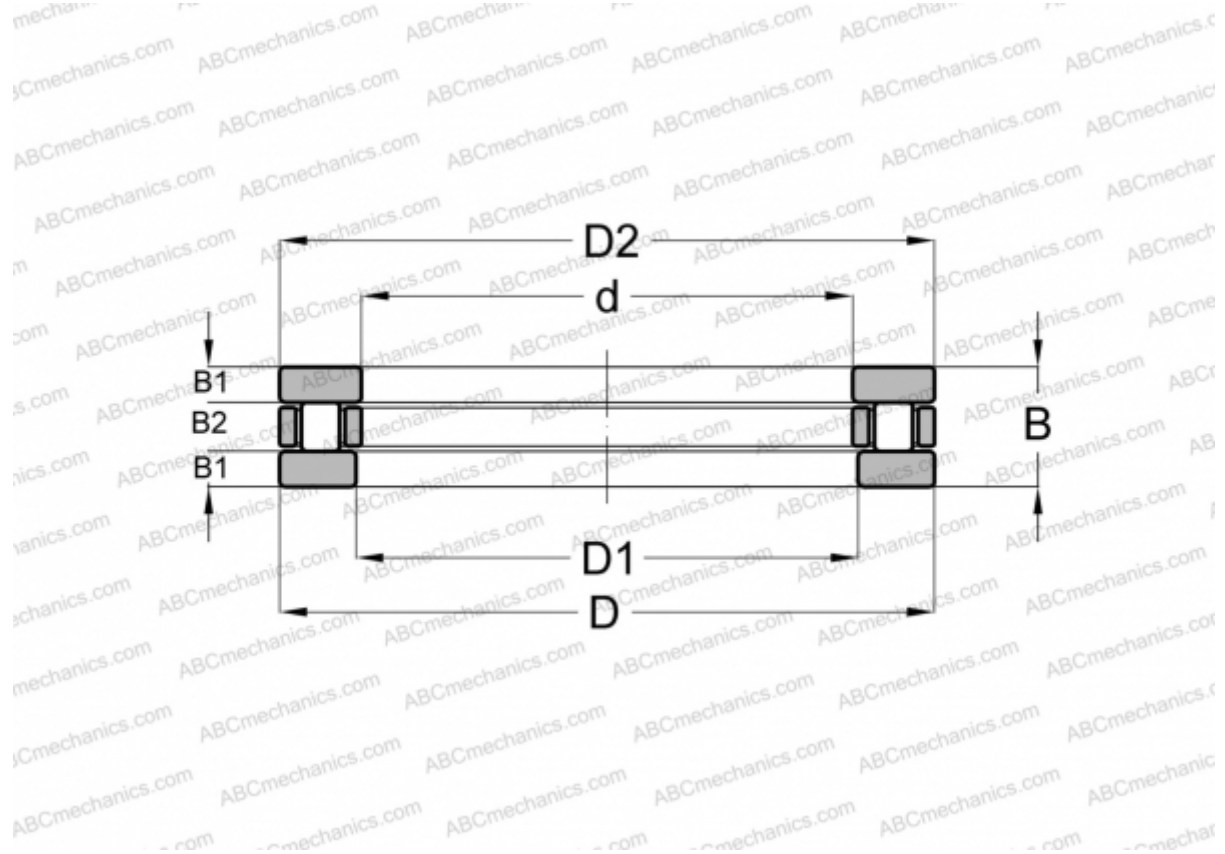


811/630 M SKF

Cylindrical roller thrust bearings

TYPE: Roller bearings, Thrust roller bearing, Cylindrical, Single direction



Technical specification

DIMENSIONS, MM

d	630,000
D	750,000
D1	634,000
D2	746,000
B	95,000
B1	28,500
B2	38,000

WEIGHT, KG 80,000

MANUFACTURER [SKF](#)

CALCULATION DATA

Basic dynamic load rating, C	2160,000 kN
Basic static load rating, Co	13700,000 kN
Fatigue load limit, Pu	865,000 kN

INCLUDED PRODUCTS

K 811/630 M, WS 811/630, GS 811/630

CALCULATION DATA

Reference speed	220 r/min
Limiting speed	450 r/min