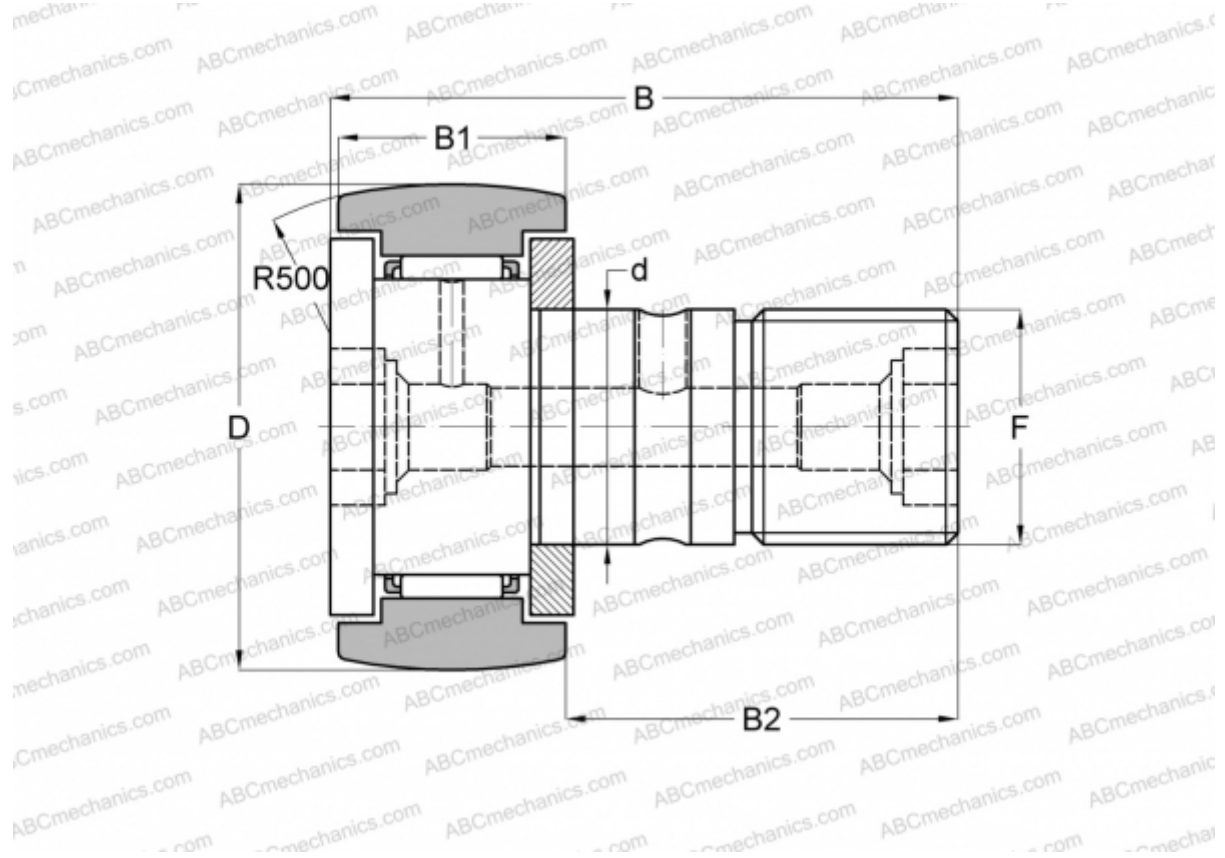


## KR 16 ABC

Cam followers

TYPE: Roller bearings, Stud type track rollers, With axial guidance, gap seals on both side



### Technical specification

#### DIMENSIONS, MM

d	6,000
D	16,000
B	28,000
B1	11,000
B2	16,000
F	M6x1

**WEIGHT, KG** 0,023

**MANUFACTURER** [ABC](#)

#### INTERCHANGE

INA	<a href="#">KR 16</a>
SKF	<a href="#">KR 16</a>
IKO	<a href="#">CF 6 R</a>
McGill	<a href="#">MCFR-16</a>

#### INTERCHANGE

FAG	<a href="#">KR 16</a>
-----	-----------------------