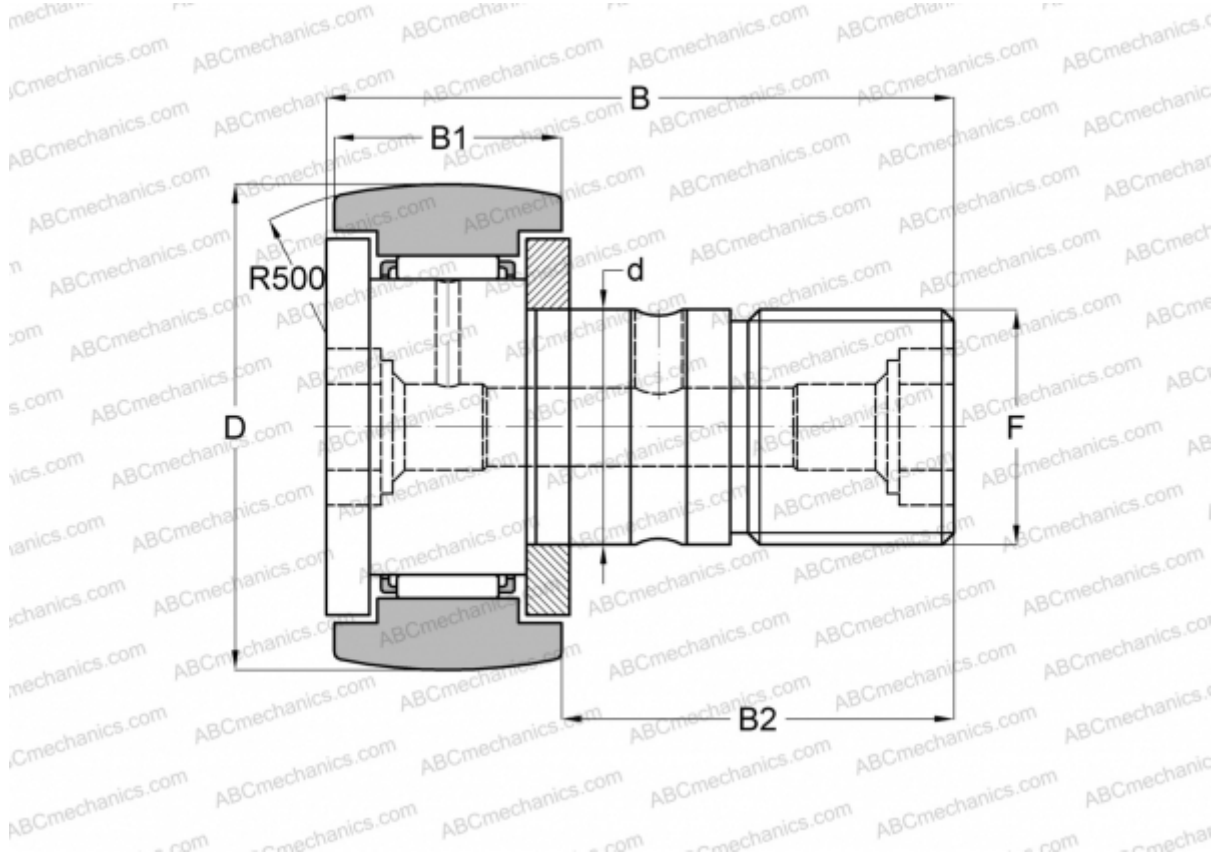


CF 6 R IKO

Cam followers

TYPE: Roller bearings, Stud type track rollers, With axial guidance, gap seals on both side



Technical specification

DIMENSIONS, MM

d	6,000
D	16,000
B	28,200
B1	11,000
B2	16,000
F	M6x1

WEIGHT, KG 0,019

MANUFACTURER [IKO](#)

INTERCHANGE

ABC	KR 16
INA	KR 16
SKF	KR 16
McGill	MCFR-16

INTERCHANGE

FAG [KR 16](#)

CALCULATION DATA

Basic dynamic load rating, C 3,660 kN

Basic static load rating, Co 3,650 kN