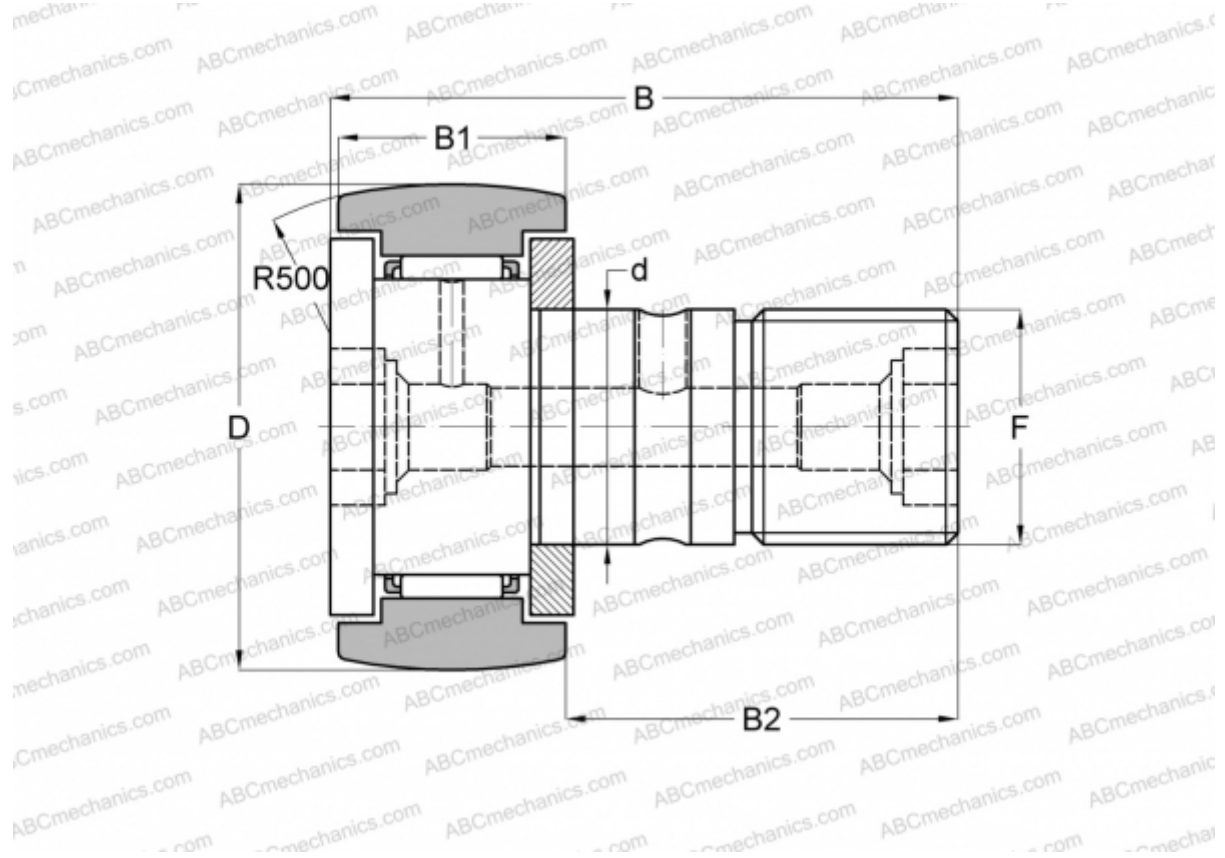


KR 19 ABC

Cam followers

TYPE: Roller bearings, Stud type track rollers, With axial guidance, gap seals on both side



Technical specification

DIMENSIONS, MM

d	8,000
D	19,000
B	32,000
B1	11,000
B2	20,000
F	M8x1.25

WEIGHT, KG 0,032

MANUFACTURER [ABC](#)

INTERCHANGE

INA	KR 19
SKF	KR 19
IKO	CF 8 R
McGill	MCFR-19

INTERCHANGE

FAG	KR 19
-----	-----------------------