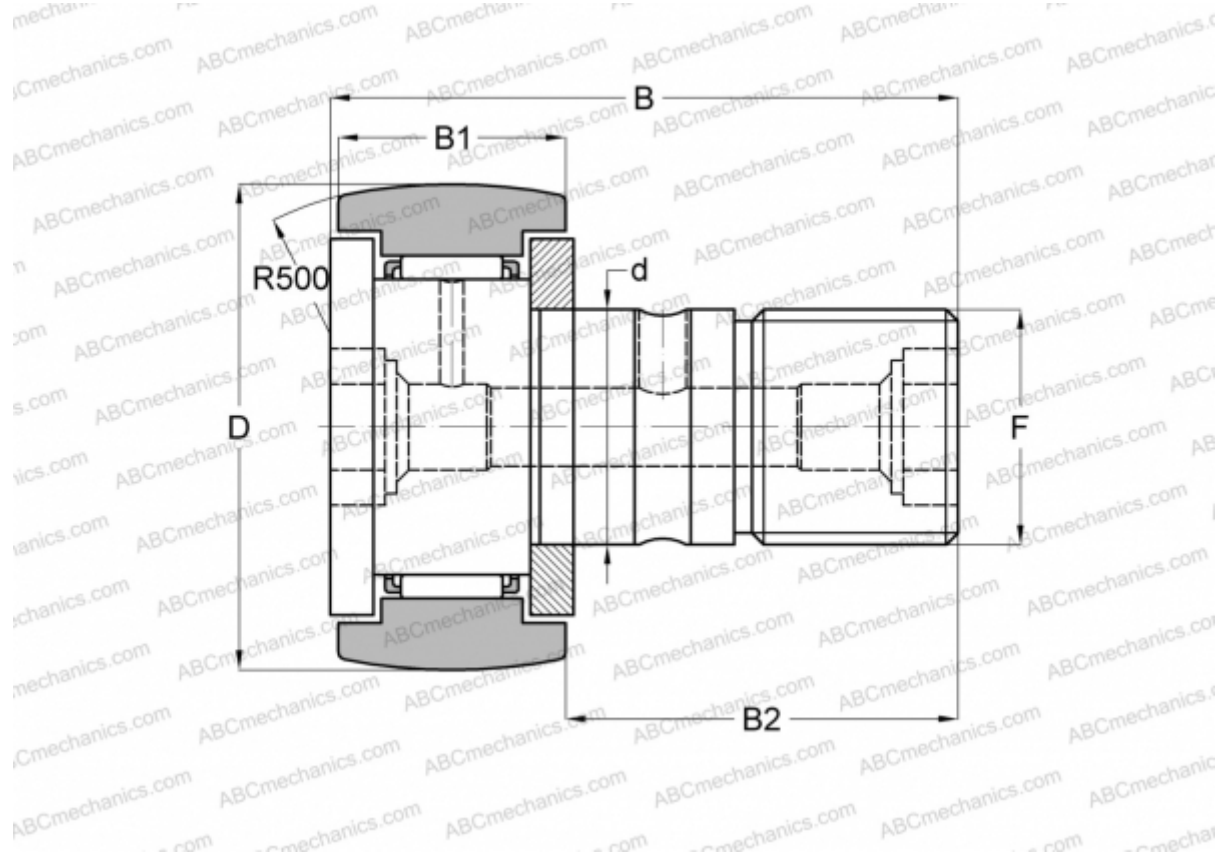


KR 22 ABC

Cam followers

TYPE: Roller bearings, Stud type track rollers, With axial guidance, gap seals on both side



Technical specification

DIMENSIONS, MM

d	10,000
D	22,000
B	36,000
B1	12,000
B2	23,000
F	M10x1

WEIGHT, KG 0,050

MANUFACTURER [ABC](#)

INTERCHANGE

INA	KR 22
SKF	KR 22 B
IKO	CF 10 RM
McGill	MCFR-22

INTERCHANGE

FAG	KR 22
-----	-----------------------