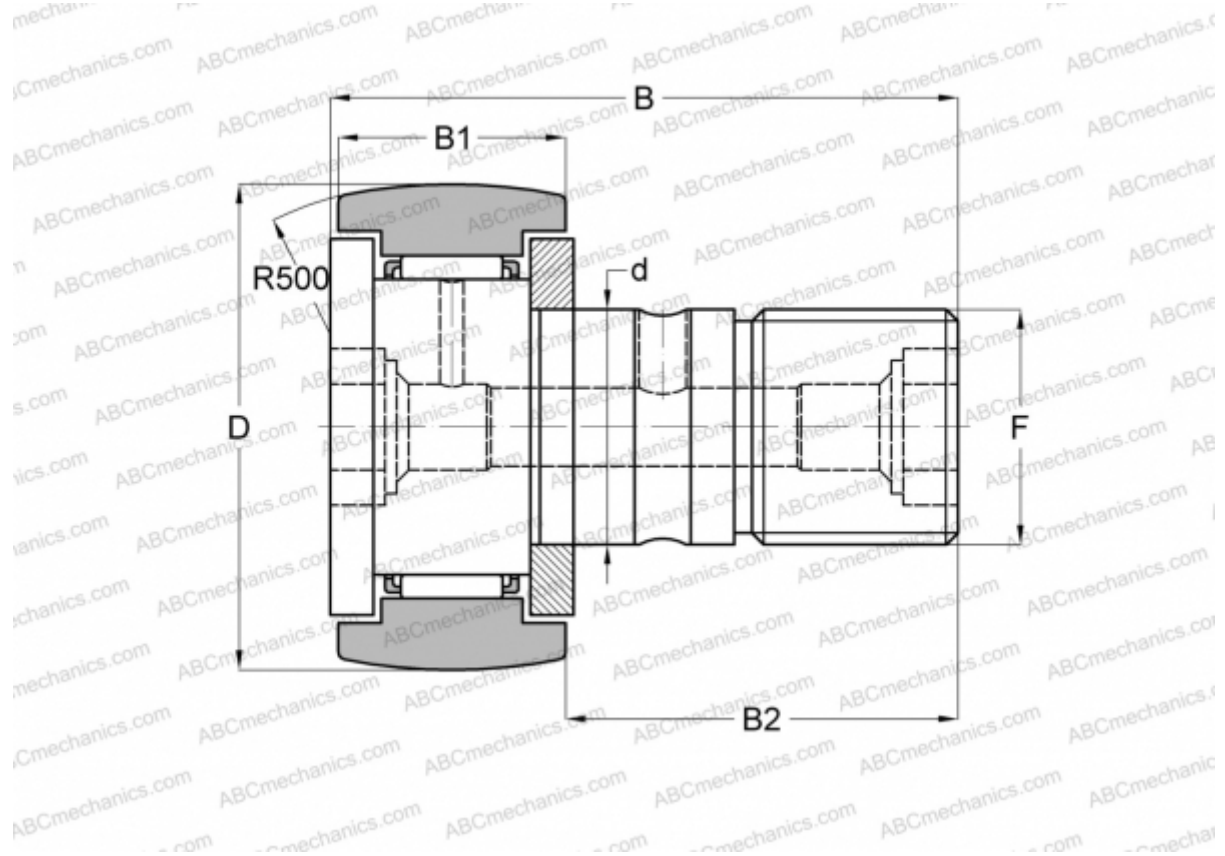


## KR 22 INA

Cam followers

TYPE: Roller bearings, Stud type track rollers, With axial guidance, gap seals on both side



### Technical specification

#### DIMENSIONS, MM

d	10,000
D	22,000
B	36,000
B1	12,000
B2	23,000
F	M10x1

**WEIGHT, KG** 0,050

**MANUFACTURER** [INA](#)

#### INTERCHANGE

ABC	<a href="#">KR 22</a>
SKF	<a href="#">KR 22 B</a>
IKO	<a href="#">CF 10 RM</a>
McGill	<a href="#">MCFR-22</a>

#### INTERCHANGE

FAG	<a href="#">KR 22</a>
-----	-----------------------