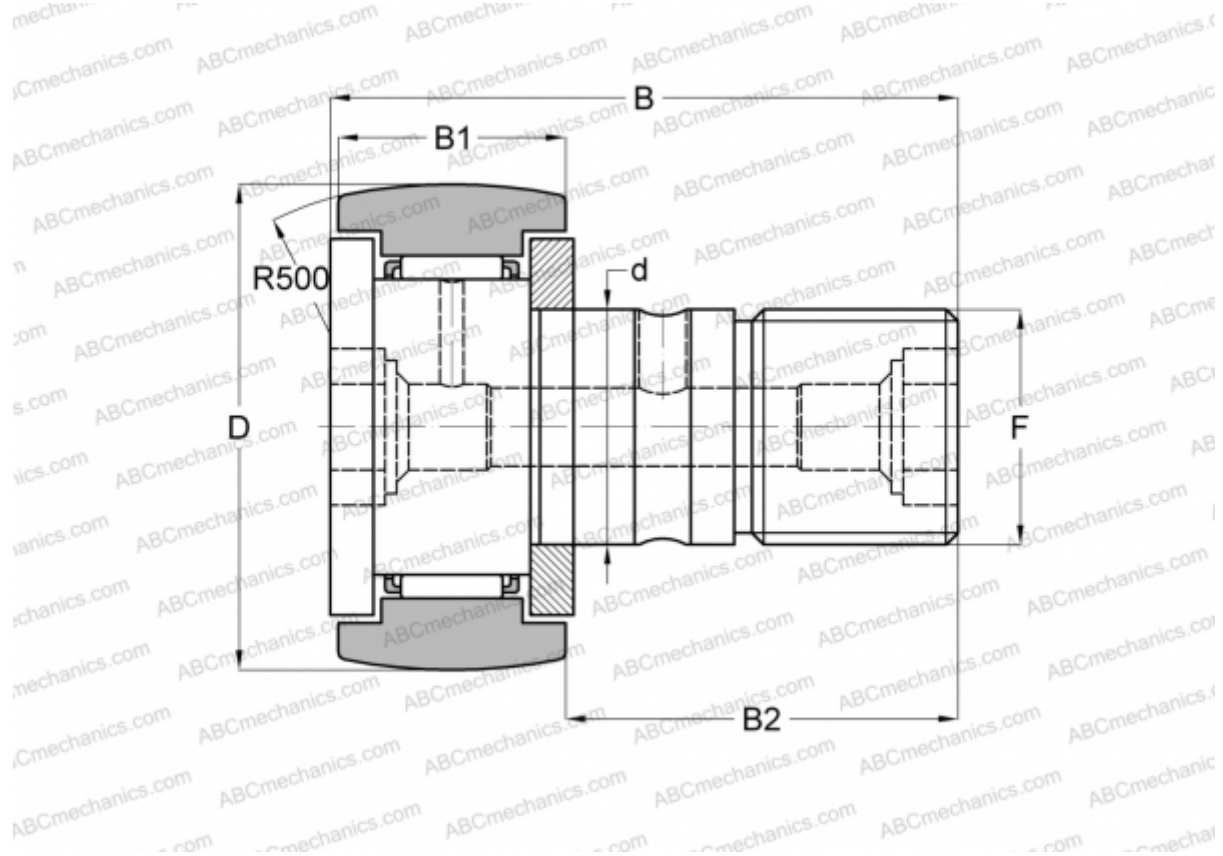


KR 22 B SKF

Cam followers

TYPE: Roller bearings, Stud type track rollers, With axial guidance, gap seals on both side



Technical specification

DIMENSIONS, MM

d	10,000
D	22,000
B	36,000
B1	12,000
B2	23,000
F	M10x1

WEIGHT, KG 0,045

MANUFACTURER [SKF](#)

INTERCHANGE

ABC	KR 22
INA	KR 22
IKO	CF 10 RM
McGill	MCFR-22

INTERCHANGE

FAG [KR 22](#)

CALCULATION DATA

Basic dynamic load rating, C	4,400 kN
Basic static load rating, Co	5,000 kN
Fatigue load limit, Pu	0,560 kN
Limiting speed	5300 r/min