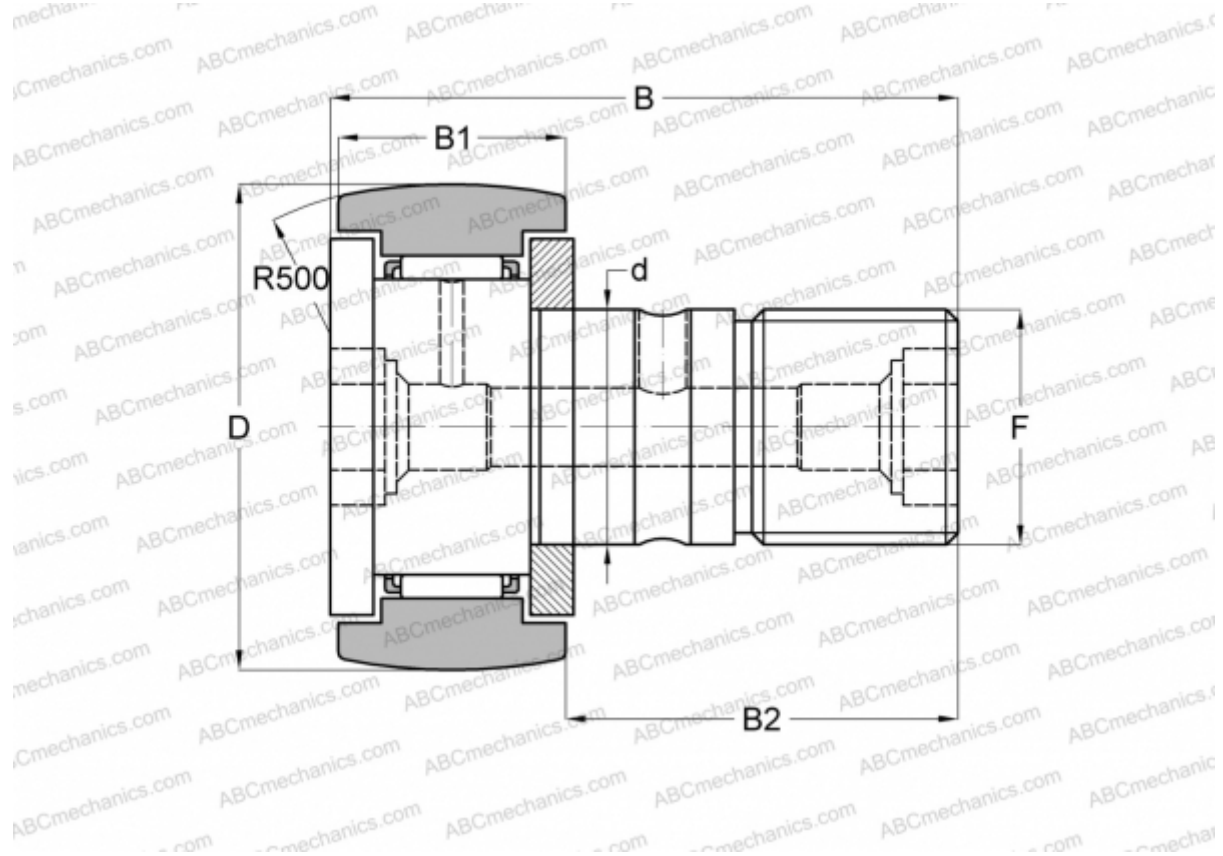


KR 26 INA

Cam followers

TYPE: Roller bearings, Stud type track rollers, With axial guidance, gap seals on both side



Technical specification

DIMENSIONS, MM

d	10,000
D	26,000
B	36,000
B1	12,000
B2	23,000
F	M10x1

WEIGHT, KG 0,059

MANUFACTURER [INA](#)

INTERCHANGE

ABC	KR 26
SKF	KR 26 B
IKO	CF 10-1 RM
McGill	MCFR-26

INTERCHANGE

FAG	KR 26
-----	-----------------------